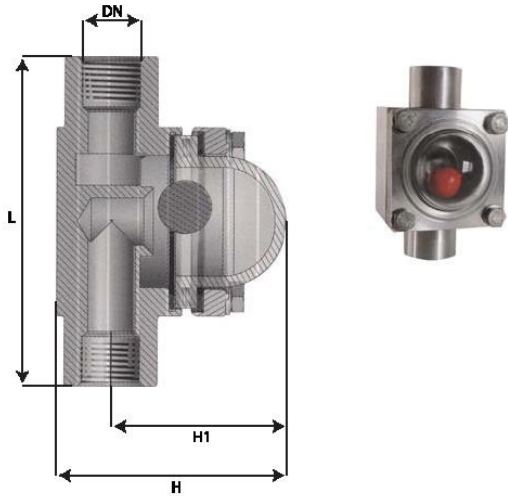


LV 1159

Stainless Steel Indicator

Stainless Steel Indicator, Ball Type, Screwed BSPP
 Rated PN10, Temperature -10°C to 100°C.



Dimensions

DN	H1	H	L
1/2"	55	73	105
3/4"	55	73	105
1"	55	73	105

Material List

Part	Material
Body	AISI 316L
Dome	Polycarbonate
Ball	Moplen