

MATFR401 series

AIR UNITS (F.R.UNIT)



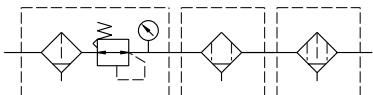
mindman



Specification

Model	MATFR401		
Bore No.	8A	10A	15A
Port size	1/4	3/8	1/2
Medium	Air		
Operating pressure range (※)	0.05~1.5 MPa		
Proof pressure	2 MPa		
Regulated pressure range	Standard type: 0.1~0.85 MPa		
	High pressure type: 0.1~1.5 MPa		
Ambient temperature	-5~+60°C (No freezing)		
Filter element	5 μm+0.3 μm+0.01 μm		
Attachment	Pressure gauge (PG-20)		
Weight	2106 g		

Symbol



※1. Standard unit contains semi-auto-drain function when operating pressure below 0.05 MPa.

※2. Choose auto-drain FMRF300, the pressure range is 0.15 ~ 1 MPa.

Order example

MATFR401 - 8A - □ - E1 - B - □ C type bracket

MODEL

BORE SIZE

8A: 1/4
10A: 3/8
15A: 1/2

PRESSURE SWITCH

E1: MP41P-02
E2: MP41P-02-QD
E3: MP41P-02-J
E4: MP41P-02-QD-J
E5: MP41P-04
E6: MP41P-04-QD
E7: MP41P-04-J
E8: MP41P-04-QD-J

B: C type bracket

PORT THREAD

Blank: Rc thread
G: G thread
NPT: NPT thread

Blank: Standard type

C: External pressure gauge (PG-40)

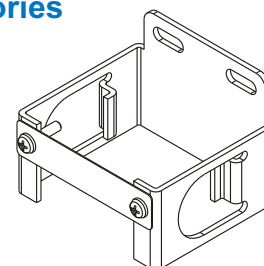
D: Auto drain valve (FMRF300)

H: High pressure type (Required with external pressure gauge PG-40)

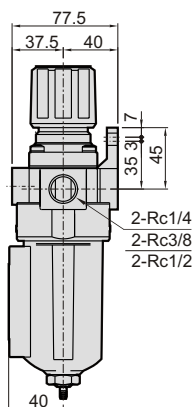
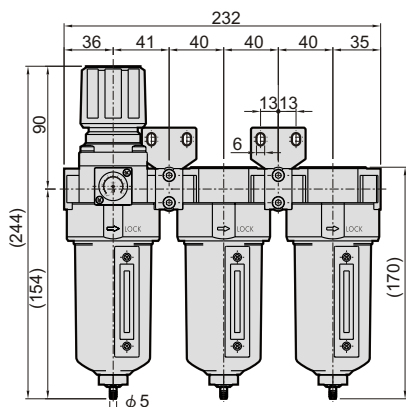
※1. (H) High pressure type can not choose with auto drain valve (FMRF300) when operating pressure over than 1 MPa.

※2. Refer to page E-14 for the option of digital pressure switch MP41.

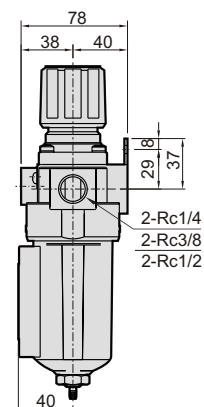
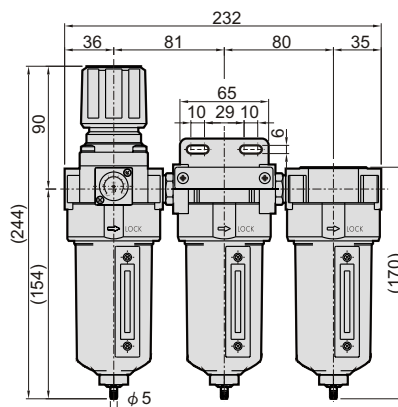
Option accessories



MATFR401



MATFR401-B



mindman