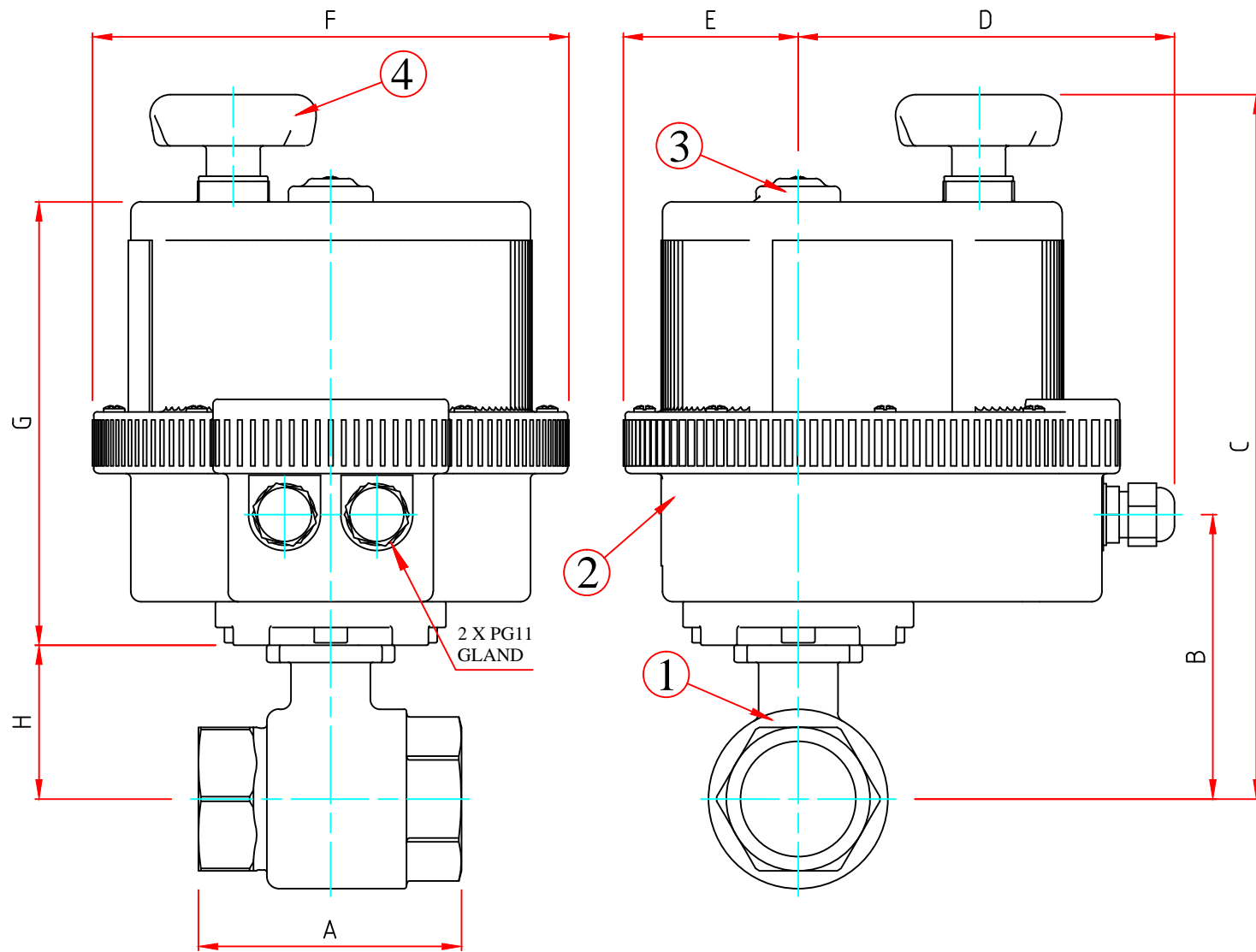


LV5990

DO NOT SCALE

IF IN
DOUBT ASK



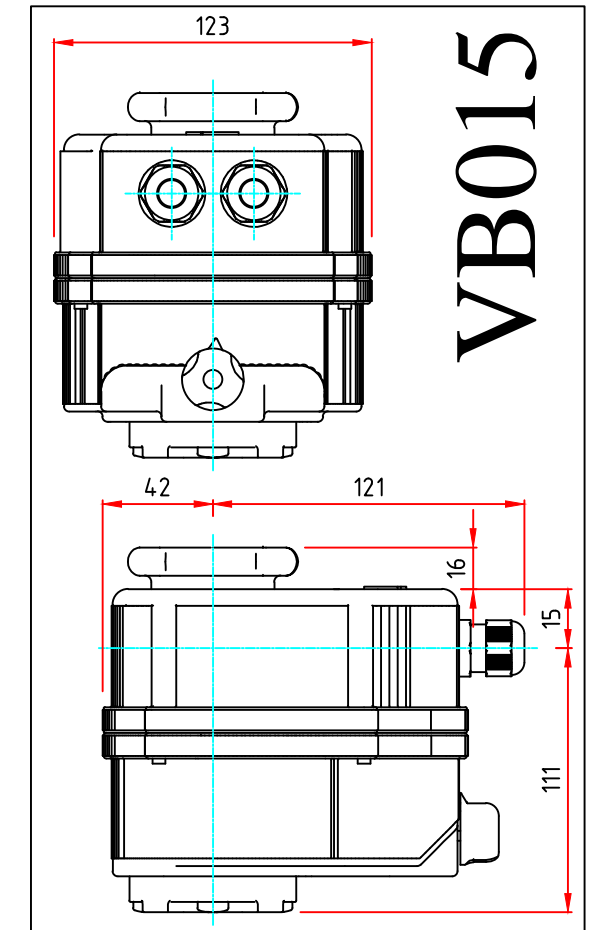
NOTES:

1. VALVE SPECIFICATION
 BODY - NICKEL PLATED BRASS
 BALL - CHROME PLATED BRASS
 STEM - BRASS
 SEATS - PTFE
 STEM O-RING - 1/4" & 3/8" FKM, NBR ALL OTHER SIZES
 CONNECTION - BSPP

2. ACTUATOR SPECIFICATION
 HOUSING - W0 SELF-EXTINGUISH CLASS IP67 RATED
 TECHNO-POLYMER.
 GEAR WHEELS - STEEL & TECHNO-POLYMER
 PINIONS - HARDENED STEEL
 BUSHES - SELF-LUBRICATING
 MOUNTING - DIE CAST PAINTED ALUMINUM
 2 X ADDITIONAL LIMIT SWITCHES
 ANTI CONDENSATION HEATER
 24VAC/DC & 110-240V AVAILABLE OPTIONS


ASSEMBLED POWER TO OPEN/CLOSE
 FAIL STAY PUT

ACTUATOR AVAILABLE WITH BATTERY BACKUP
 & 0-10V / 4-20MA MODULATING CONTROL WHICH
 ARE BOTH WITHIN EXISTING HOUSING DIMENSIONS
 SHOWN



VALVE SIZE AND REF	ACTUATOR REF.	VALVE ACTION ON ELECTRIC FAIL	A	B	C	D	E	F	G	H
1/4" LV4500	VB015	STAY PUT	67	144	175	121	43	123	126	33
3/8" LV4500	VB015	STAY PUT	67	144	175	121	43	123	126	33
1/2" LV4500	VB015	STAY PUT	59	142	173	121	43	123	126	31
3/4" LV4500	VB015	STAY PUT	69	148	179	121	43	123	126	37
1" LV4500	VB015	STAY PUT	83	152	183	121	43	123	126	41
1 1/4" LV4500	VB015	STAY PUT	94	157.5	188.5	121	43	123	126	46.5
1 1/2" LV4500	VB060	STAY PUT	102	109	273	147	68	185	173	58
2" LV4500	VB060	STAY PUT	124	116.5	280.5	147	68	185	173	65.5
2 1/2" LV4500	VB060	STAY PUT	141	143	307	147	68	185	173	92
3" LV4500	VB060	STAY PUT	159	253	317	147	68	185	173	102
4" LV4500	VB110	STAY PUT	193	257	335	153	84	206	178	103

PART No	QTY PER ASSY	DESCRIPTION	MANUFACTURER	MATERIAL SPEC
			PART REF	TYPE
1	1	FULL BORE BALL VALVE	RIV	SEE NOTES
			LV4500	
2	1	ELECTRIC ACTUATOR	VALBIA	SEE NOTES
		POWER OPEN/CLOSE	-	
3	1	VISUAL POSITION INDICATOR	VALBIA	NYLON
			-	
4	1	MANUAL OVERRIDE	VALBIA	NYLON
		PUSH TO OPERATE	-	

CUSTOMER : PRODUCT DATA SHEET		O/N : -	S/O : -
DRAWN : A. MACALISTER		 TITLE : 1/4" TO 4" BRASS BALL VALVE FITTED WITH ELECTRIC ACTUATOR	
DATE : 18/06/2013			
CHK'D : -	DRAWN TO BS.8888	SCALE : NTS	SIZE : A3
DRAWING No. LG-GA-2013-09		REV. A	