

# FLUIDRAIN® HIGH PRESSURE

## Electronic timer controlled condensate drain

### PRODUCT FEATURES

The FLUIDRAIN® High Pressure removes condensate from compressed air systems using a direct acting solenoid valve in combination with an electronic timer.

The FLUIDRAIN® High Pressure is designed to remove condensate from high pressure compressed air systems.

The FLUIDRAIN® High Pressure offers true installation simplicity and it is recognised as the most reliable and best performing condensate drain worldwide.

The FLUIDRAIN® High Pressure offers trouble free condensate draining on systems up to 500 bar.



### COMMERCIAL BENEFITS

- Suitable for all compressed air systems up to 500 bar.
- Prominent front facing private labeling area possibilities.
- 12 – 380 VAC/DC voltage options are available.
- Successful draining of all types of condensate (also heavily emulsified condensate).

### TECHNICAL ADVANTAGES

- Visual display of operating status.
- Application environment up to IP65 (NEMA 4)
- Newly designed easy-grip adjusting knobs.
- Can not be air-locked.
- Direct acting valve assembly, ensuring consistent discharge operation.

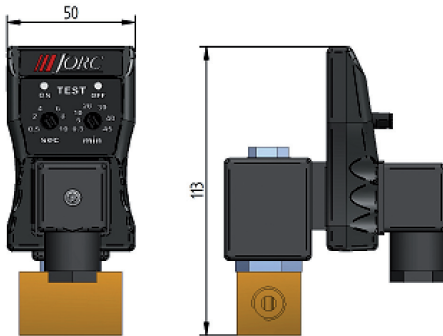
### WARNING

Failure to ensure that the drain has IP65 enclosure rating can have catastrophic results when installing a drain outdoors. Compressed air systems can become contaminated and production schedules can get seriously disrupted – just because a simple duty has been neglected.

# FLUIDRAIN® HIGH PRESSURE

Electronic timer controlled condensate drain

## DIMENSIONS MM



## SPECIFICATIONS

### TIMER

Interval time	0.5 – 45 minutes adjustable
Discharge time	0.5 – 10 seconds adjustable
Supply voltage options	12 - 380 VAC/DC, 50/60 Hz
Current consumption	4mA maximum
Operating temperature	-40° C to +60° C
Environmental protection	IP 65, NEMA 4 when installed
Housing material	ABS plastic FR grade
Connection	DIN 43650A ISO 440/6952
Indicators	1 LED (yellow) indicating ON 1 LED (yellow) indicating OFF

### VALVE

Type	2/2 way direct acting
In/out ports	1/4" BSP or NPT
Max. pressure	500 bar g (depending on orifice size – consult factory)
Min/Max temperature	2° C/55° C ambient
Media temp.	Max. 90° C
Valve body	Forged brass up to 80 bar, higher pressures in stainless steel
Supply voltage options	12 - 380 VAC/DC, 50/60 Hz (100% ED)
Coil Insulation Grade	H-grade
Valve seal	FPM (Viton), higher pressures can vary
Environmental Protection	IP 65

See coil for correct voltage      Voltage tolerance +/- 10%



Timer units available in different colours

**JORC IS ISO 9001:2008 CERTIFIED**

Information provided herewith is believed to be accurate and reliable. However, no responsibility is assumed for its use or for any infringement of patents or rights of others, which may result from its use. In addition, JORC reserves the right to revise information without notice and without incurring any obligation.

**JORC Industrial BV**      Tel    +31 45 524 24 27  
 Pretoriastraat 28      Fax    +31 45 524 19 79  
 NL-6413 NN Heerlen    E-mail info@jorc.nl  
 The Netherlands      http:// www.jorc.eu