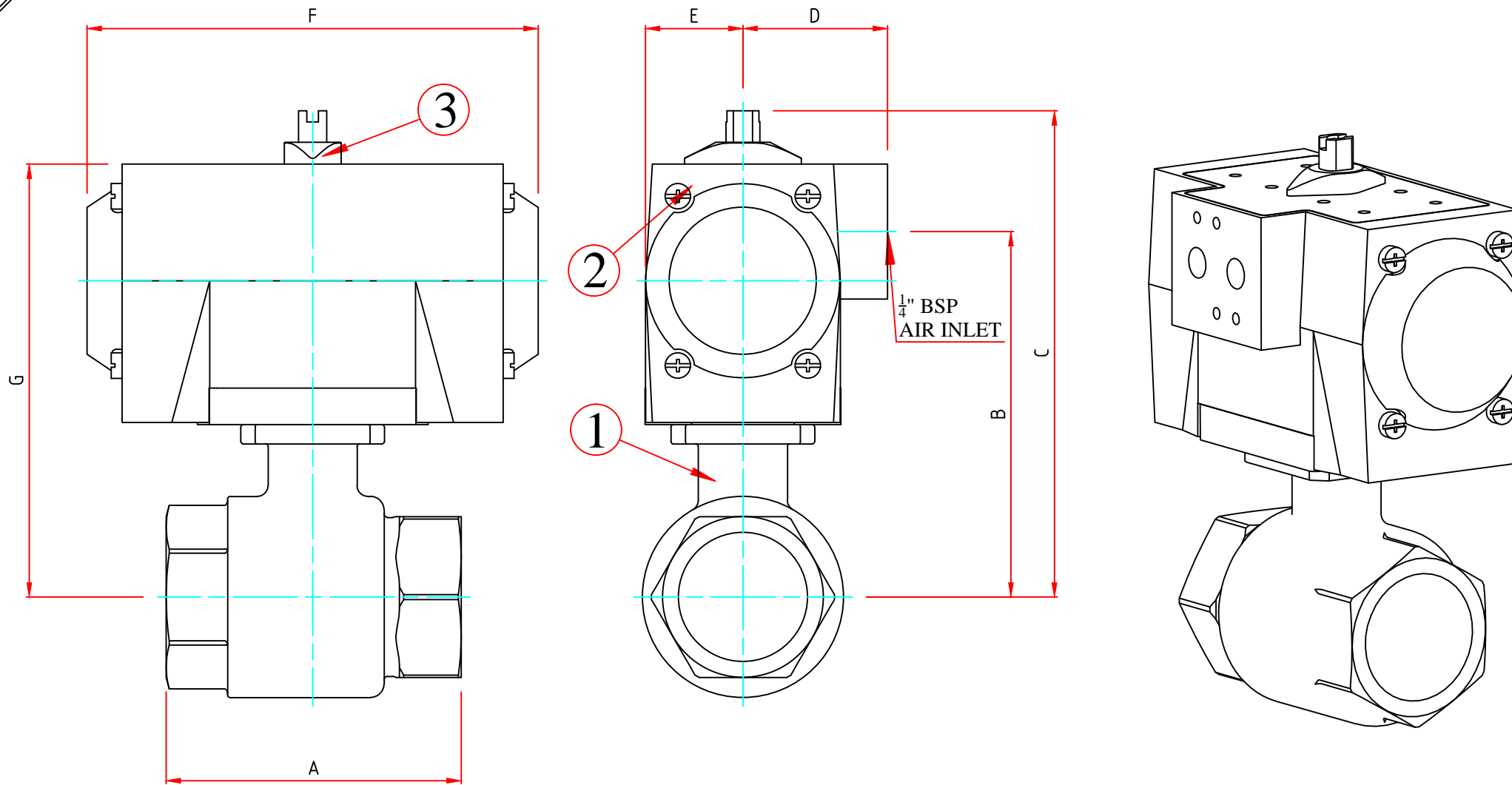


LV5995

DO NOT SCALE

IF IN DOUBT ASK



NOTES:

1. VALVE SPECIFICATION  
 BODY - NICKEL PLATED BRASS  
 BALL - CHROME PLATED BRASS  
 STEM - BRASS  
 SEATS - PTFE  
 STEM O-RING - 1/4" & 3/8" FKM, NBR ALL OTHER SIZES  
 CONNECTION - BSPP

2. ACTUATOR SPECIFICATION

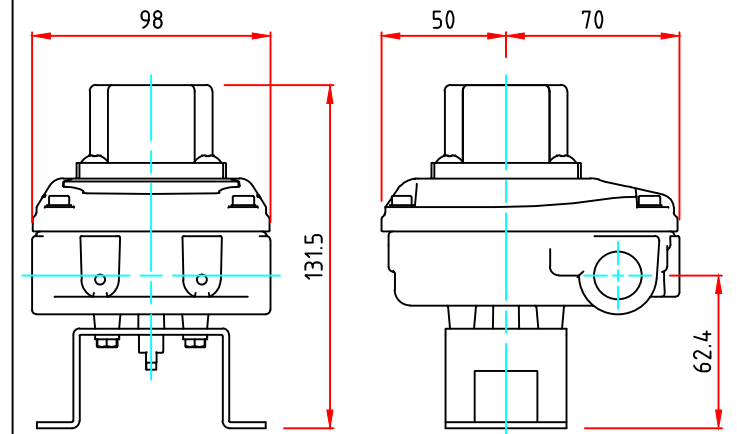
MT SERIES:  
 BODY - ANODIZED ALUMINUM  
 END CAPS - EPOXY COATED ALUMINUM  
 PINION - STAINLESS STEEL  
 UT SERIES:  
 BODY - TECHNO-POLYMER  
 END CAPS - TECHNO-POLYMER  
 PINION - NICKEL PLATED CARBON STEEL

3. INDICATOR SPECIFICATION

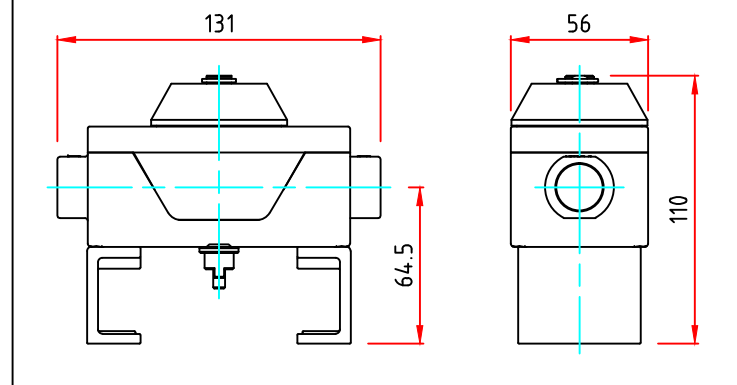
MT SERIES - BEACON TYPE  
 UT SERIES - POINTER TYPE

4. VALVES ASSEMBLED AIR FAIL STAY PUT

SWITCHBOXES UTB5884,5,6,7,8 & 9




SWITCHBOXES UTB5882 & 3



VALVE SIZE AND REF	ACTUATOR REF.	VALVE ACTION ON AIR FAIL	A	B	C	D	E	F	G
1/4" LV4500	UT10-0A	STAY PUT	67	81.5	124	4.0	27	119	104
3/8" LV4500	UT10-0A	STAY PUT	67	81.5	124	4.0	27	119	104
1/2" LV4500	UT10-0A	STAY PUT	59	79.5	122	4.0	27	119	102
3/4" LV4500	UT10-0A	STAY PUT	69	85.5	128	4.0	27	119	108
1" LV4500	UT10-0A	STAY PUT	83	89.5	132	4.0	27	119	112
1 1/4" LV4500	UT10-0A	STAY PUT	94	95	137.5	4.0	27	119	117.5
1 1/2" LV4500	UT13-0C	STAY PUT	102	125.5	169	50.25	35.75	160	149
2" LV4500	UT13-0C	STAY PUT	124	133	176.5	50.25	35.75	160	156.5
2 1/2" LV4500	UT13-0C	STAY PUT	141	159.5	203	50.25	35.75	160	183
3" LV4500	UT13-0C	STAY PUT	159	169.5	213	50.25	35.75	160	193
4" LV4500	MT20-0C	STAY PUT	193	178.5	231	54	42	177	201

PART No	QTY PER ASSY	DESCRIPTION	MANUFACTURER	MATERIAL SPEC
			PART REF	TYPE
1	1	FULL BORE BALL VALVE	RIV	SEE NOTES
			LV4500	
2	1	PNEUMATIC ACTUATOR	MAX-AIR	SEE NOTES
		DOUBLE ACTING	UT/MT SERIES	
3	1	VISUAL POSITION INDICATOR	MAX-AIR	SEE NOTES
			-	

CUSTOMER: PRODUCT DATA SHEET		O/N: -	S/O: -
DRAWN: A. MACALISTER			
DATE: 17/06/2013			
CHK'D: -		TITLE: 1/4" TO 4" BRASS BALL VALVE FITTED WITH DOUBLE ACTING ACTUATOR	
DRAWN TO BS.8888	SCALE: NTS	SIZE: A3	DRAWING No. LG-GA-2013-07
DIMENSIONS mm		REV. A	