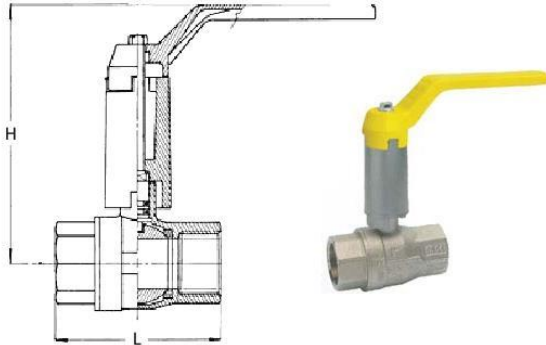


LV 7169

Ball Valve - British Gas (LV7160 + Extension)

Nickel Plated Body, Screwed BSPP Female, Full Bore, fitted with Neck Extension



Pressure/Temperature Ratings

Max Pressure	1/4" - 1/2" PN64
	3/4" - 2 1/2" PN40
	3" PN32
	4" PN25
Temperature Gas	-20°C to 70°C
Temperature Fluid	-20°C to 150°C

Material List

Body	Brass Nickel Plated
Ball	Brass
Seats	PTFE
Stem	Brass
Stem Seal	Viton/NBR
Handle	Aluminium

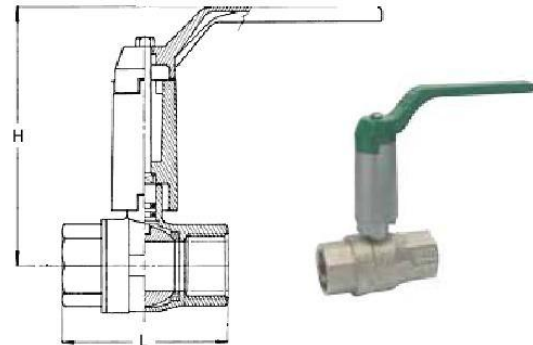
Dimensions

DN	Size	L	H	Kg
8	1/4"	45	99	0.2
10	3/8"	45	99	0.21
15	1/2"	59	111	0.29
20	3/4"	69	125	0.45
25	1"	83	128	0.63
32	1 1/4"	94	145	0.97
40	1 1/2"	102	157	1.29
50	2"	124	165	1.95

LV 4179

Ball Valve (LV4170 + Extension)

Nickel Plated Body, Screwed BSPP Female, Full Bore, fitted with Neck Extension



Pressure/Temperature Ratings

Max Pressure	1/2" PN40
	3/4" - 1" PN32
	1 1/4" to 2 1/2" PN25
Temperature	-20°C to 110°C

Material List

Body	Brass
Ball	Brass
Seats	PTFE
Stem	Brass
Compression Nut	Brass
Compression Cone	Brass
Handle	Aluminium

Dimensions

DN	Size	L	H	Kg
15	1/2"	48	107	0.29
20	3/4"	57	113	0.45
25	1"	69	117	0.63
32	1 1/4"	75	133	0.97
40	1 1/2"	89	148	1.29
50	2"	105	161	1.95
65	2 1/2"	126	TBA	1.29