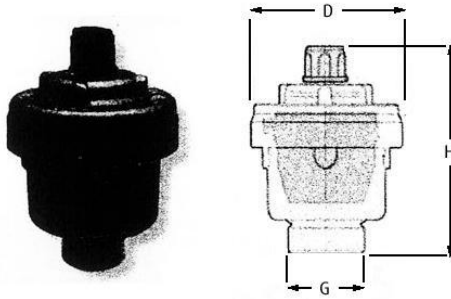


LV 2930

## Brass Automatic Vent Valve

Male BSP



### Pressure/Temperature Ratings

Max Pressure	PN10
Temperature	-10° to 90°C

### Material List

Body	Brass UNI EN 12165 CW617N
Float	Polypropylene

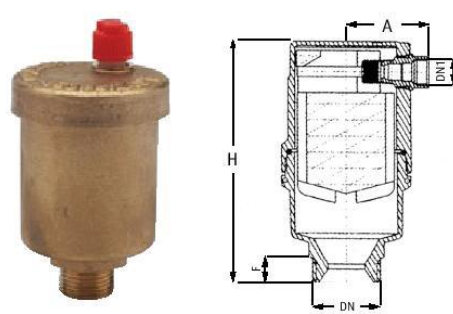
### Dimensions

G	D	H
3/8"	42	58.5

LV 2930

## Brass Automatic Male Air Vent

Male BSP



### Pressure/Temperature Ratings

Max Pressure	PN10
Max Working Temperature	-10° to 90°C

### Material List

Body	Brass	CuZn40Pb2	UNI EN 12165
Float	PP		
Cap	Brass	CuZn40Pb2	UNI EN 12165
O-Ring	NBR		ASTM D2000
Lever	Brass	CuZn39Pb3	UNI EN 12164
Gasket	EPDM		ASTM D2000
Spring	Stainless Steel	AISI 302	
O-Ring	NBR		ASTM D2000
Obturator	Brass	CuZn39Pb3	UNI EN 12164

### Dimensions

DN	Size	A	F	H
1	1"	40	13	120