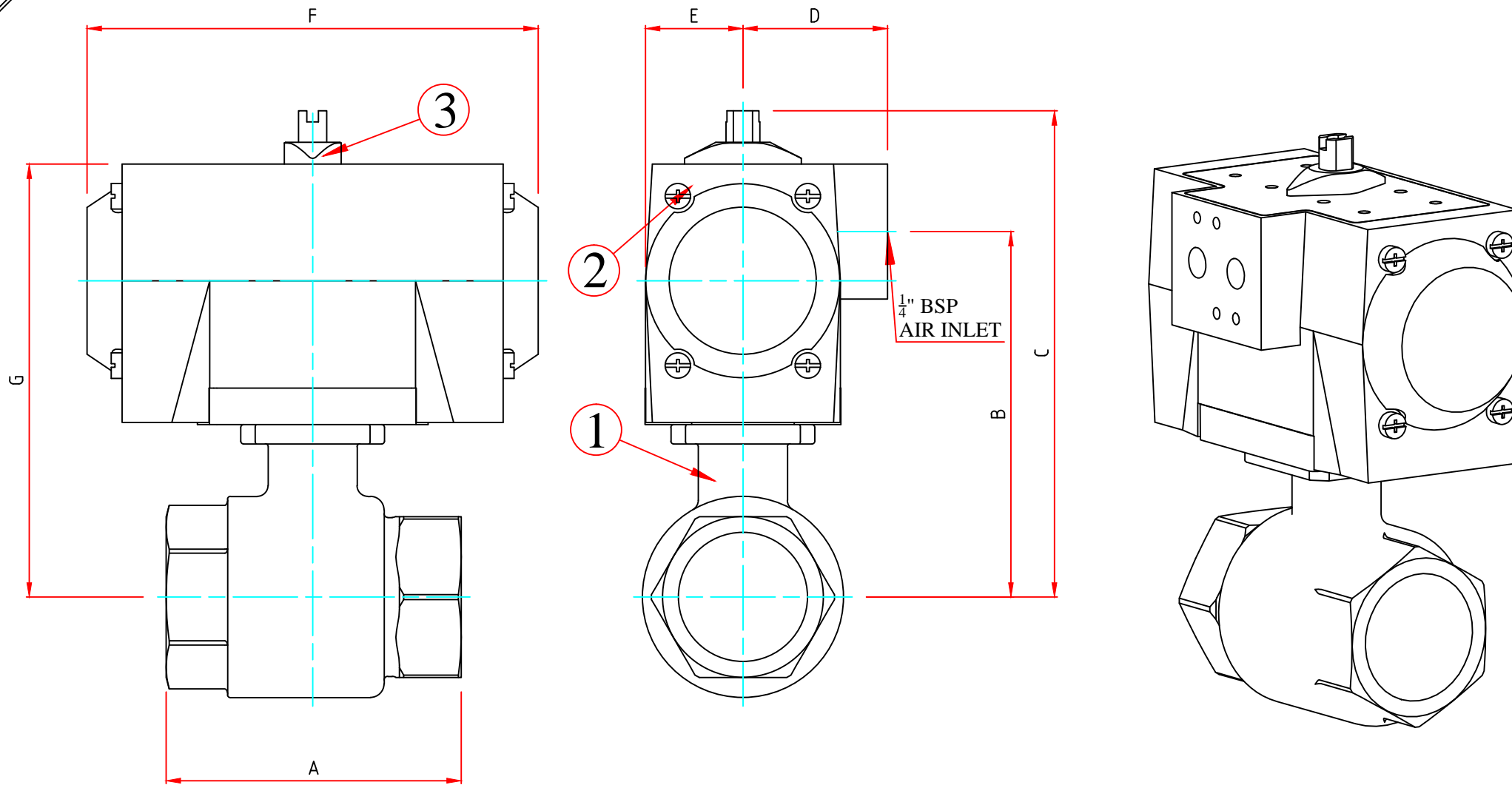


LV5996

DO NOT SCALE

IF IN DOUBT ASK



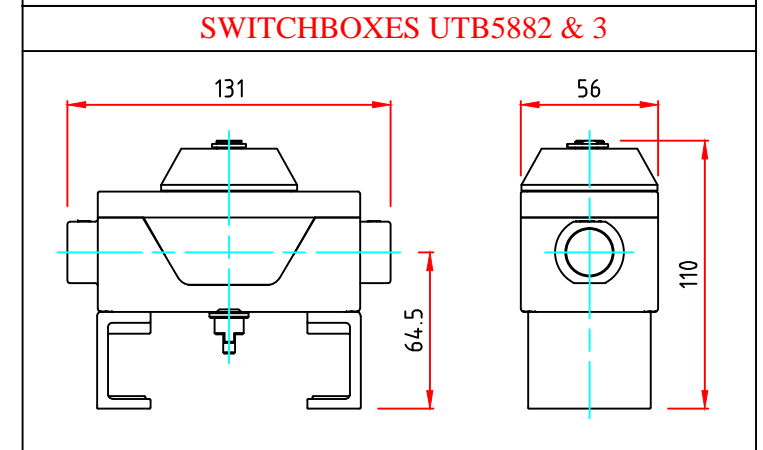
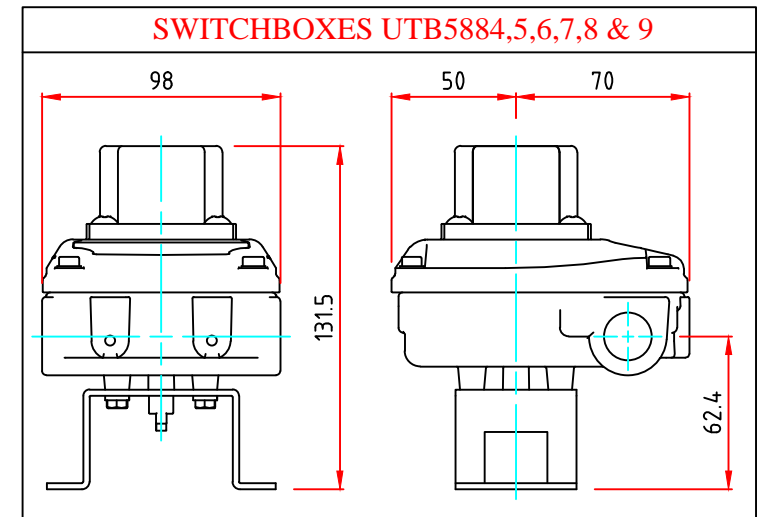
NOTES:

1. VALVE SPECIFICATION  
 BODY - NICKEL PLATED BRASS  
 BALL - CHROME PLATED BRASS  
 STEM - BRASS  
 SEATS - PTFE  
 STEM O-RING - 1/4" & 3/8" FKM, NBR ALL OTHER SIZES  
 CONNECTION - BSPP

2. ACTUATOR SPECIFICATION  
 MT SERIES:  
 BODY - ANODIZED ALUMINUM  
 END CAPS - EPOXY COATED ALUMINUM  
 PINION - STAINLESS STEEL  
 UT SERIES:  
 BODY - TECHNO-POLYMER  
 END CAPS - TECHNO-POLYMER  
 PINION - NICKEL PLATED CARBON STEEL


3. INDICATOR SPECIFICATION  
 MT SERIES - BEACON TYPE  
 UT SERIES - POINTER TYPE

4. VALVES ASSEMBLED AIR FAIL STAY PUT



VALVE SIZE AND REF	ACTUATOR REF.	VALVE ACTION ON AIR FAIL	A	B	C	D	E	F	G
1/4" LV4500	UT10-2A	AFC	67	81.5	124	4.0	27	119	104
3/8" LV4500	UT10-2A	AFC	67	81.5	124	4.0	27	119	104
1/2" LV4500	UT10-2A	AFC	59	79.5	122	4.0	27	119	102
3/4" LV4500	UT10-2A	AFC	69	85.5	128	4.0	27	119	108
1" LV4500	UT10-2A	AFC	83	89.5	132	4.0	27	119	112
1 1/4" LV4500	UT10-2A	AFC	94	95	137.5	4.0	27	119	117.5
1 1/2" LV4500	MT20-3C	AFC	102	133.5	186	5.4	4.2	177	156
2" LV4500	MT20-3C	AFC	124	141	193.5	5.4	4.2	177	163.5
2 1/2" LV4500	MT20-3C	AFC	141	167.5	220	5.4	4.2	177	190
3" LV4500	MT25-4C	AFC	159	245	230	5.4	4.2	239	200
4" LV4500	MT25-4C	AFC	193	254	231	5.4	4.2	239	201

PART No	QTY PER ASSY	DESCRIPTION	MANUFACTURER	MATERIAL SPEC
			PART REF	TYPE
1	1	FULL BORE BALL VALVE	RIV	SEE NOTES
			LV4500	
2	1	PNEUMATIC ACTUATOR	MAX-AIR	SEE NOTES
		SINGLE ACTING SPRING RTN	UT/MT SERIES	
3	1	VISUAL POSITION INDICATOR	MAX-AIR	SEE NOTES
			-	

CUSTOMER: PRODUCT DATA SHEET		0/N: -	S/O: -
DRAWN: A. MACALISTER		 TITLE: 1/4" TO 4" BRASS BALL VALVE FITTED WITH SPRING RETURN ACTUATOR	
DATE: 17/06/2013			
CHK'D: -	DRAWN TO BS.8888	SCALE: NTS	SIZE: A3
DRAWING No. LG-GA-2013-08		REV. A	