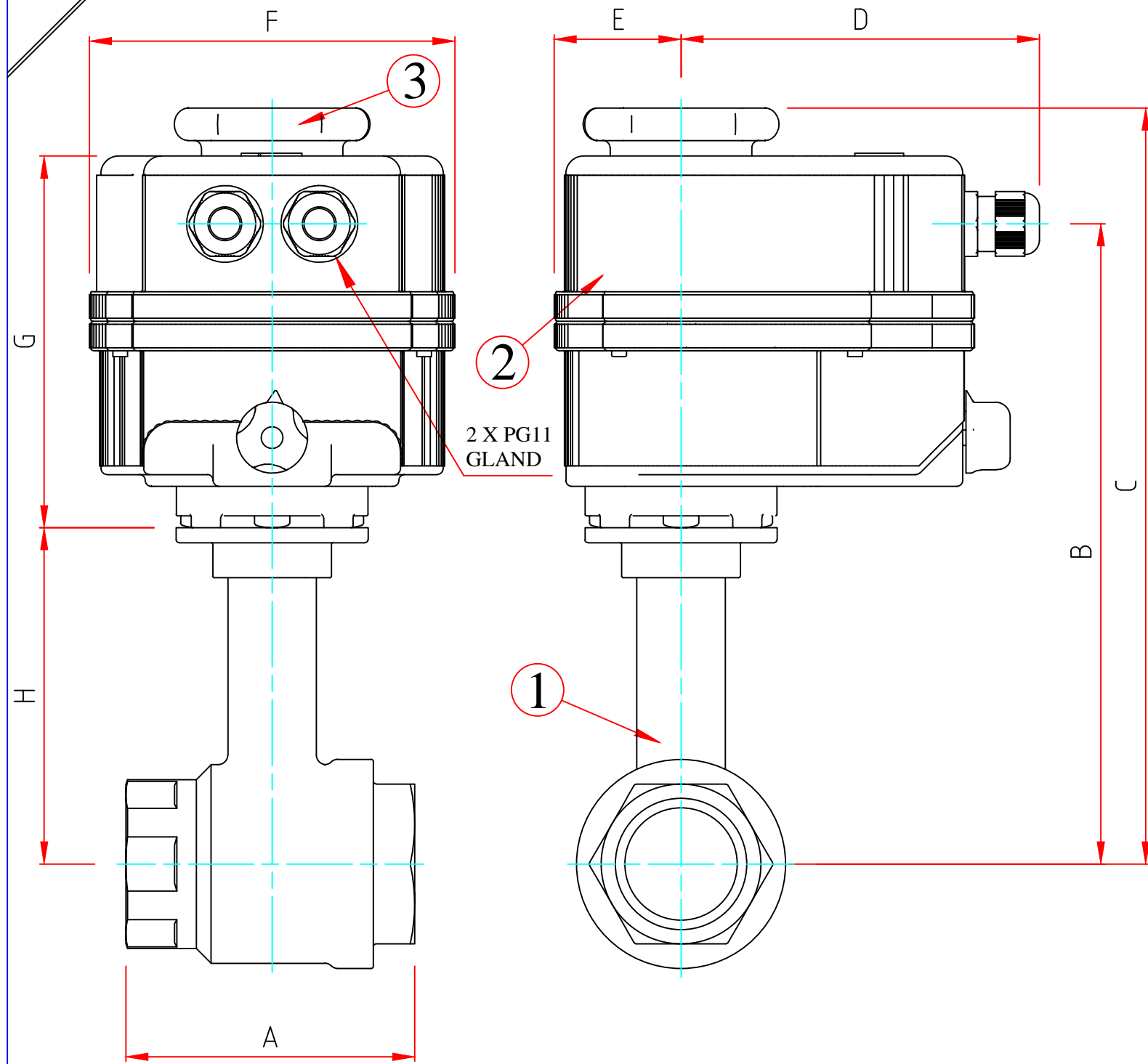


LV5987

DO NOT SCALE

IF IN
DOUBT ASK

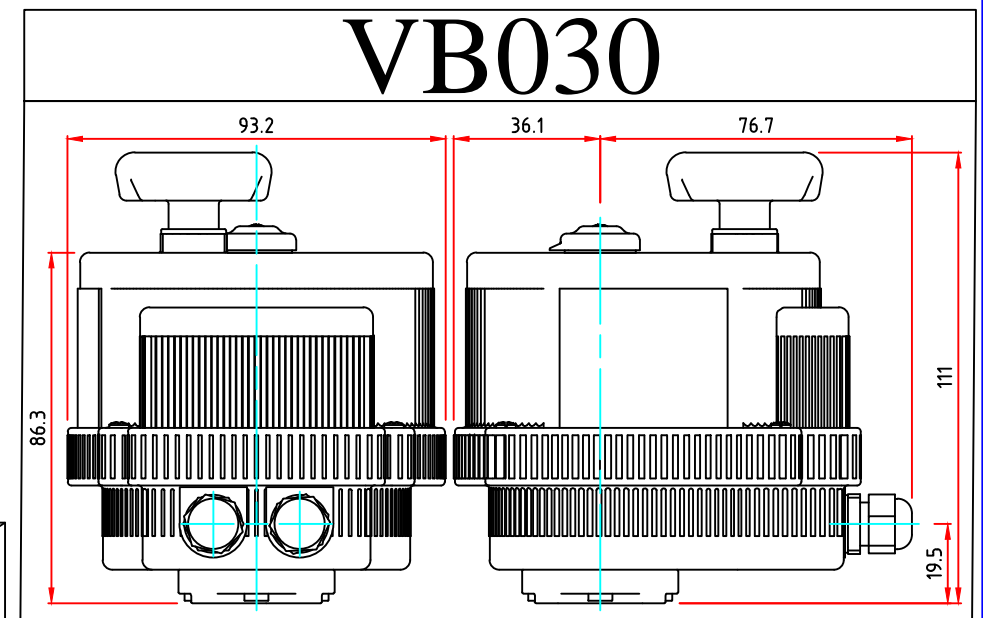


- NOTES:**
- 1. VALVE SPECIFICATION
 - BODY - NICKEL PLATED BRASS
 - BALL - CHROME PLATED BRASS
 - STEM - BRASS
 - SEATS - PTFE
 - SEAT O-RING - NBR
 - STEM O-RING - NBR
 - CONNECTION - BSPP

- 2. ACTUATOR SPECIFICATION
- HOUSING - W0 SELF-EXTINGUISH CLASS IP65 RATED TECHNO-POLYMER.
- GEAR WHEELS - STEEL & TECHNO-POLYMER
- PINIONS - HARDENED STEEL
- BUSHES - SELF-LUBRICATING
- MOUNTING - DIE CAST PAINTED ALUMINUM
- 2 X ADDITIONAL LIMIT SWITCHES
- ANTI CONDENSATION HEATER
- 24VAC/DC & 110-240V AVAILABLE OPTIONS



ASSEMBLED POWER TO OPEN/CLOSE
FAIL STAY PUT

IF A BATTERY BACKUP OR 0-10V / 4-20MA
MODULATING CONTROL ACTUATOR IS REQUIRED
PLEASE CHANGE THE ACTUATOR TO A VB030 AS
PER BELOW DIMENSIONS.



VALVE SIZE AND REF	ACTUATOR REF.	VALVE ACTION ON ELECTRIC FAIL	A	B	C	D	E	F	G	H
1/2" LV4509	VB015	STAY PUT	56	200	231	121	43	123	126	89
3/4" LV4509	VB015	STAY PUT	68	203	234	121	43	123	126	92
1" LV4509	VB015	STAY PUT	78	209	240	121	43	123	126	98
1 1/4" LV4509	VB015	STAY PUT	90	219	250	121	43	123	126	108
1 1/2" LV4509	VB015	STAY PUT	100	225	256	121	43	123	126	114
2" LV4509	VB015	STAY PUT	115	242	273	121	43	123	126	131

PART No	QTY PER ASSY	DESCRIPTION	MANUFACTURER		MATERIAL SPEC	
			PART REF	TYPE		
1	1	FULL BORE BALL VALVE	IDROSFER		SEE NOTES	
2	1	ELECTRIC ACTUATOR	VALBIA		SEE NOTES	
3	1	VISUAL INDICATOR & MANUAL OVERRIDE	VALBIA		NYLON	

CUSTOMER : PRODUCT DATA SHEET		O/N : -	S/O : -
DRAWN : A. MACALISTER			TITLE : 1/2" TO 2" BRASS BALL VALVE EXTENDED FITTED WITH ELECTRIC ACTUATOR
DATE : 03/01/2014			
CHK'D : -	DRAWN TO BS.8888 	SCALE NTS	SIZE A3
DRAWING No. LG-GA-2014-03		REV. A	