

# MVSB-188 series

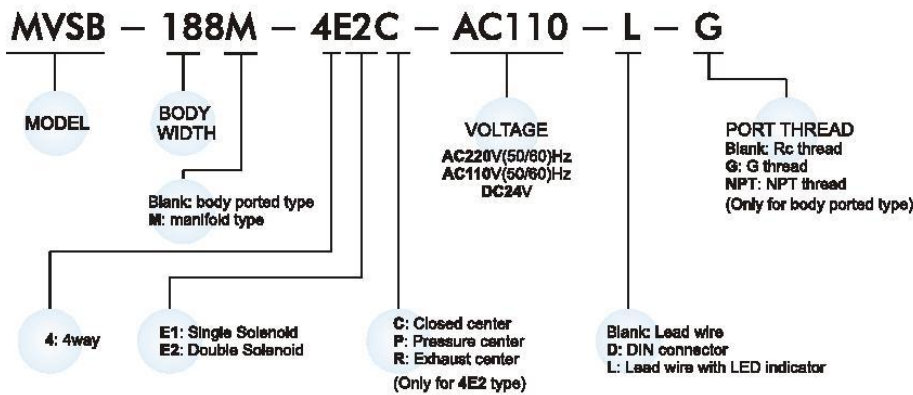
## SOLENOID VALVE



### Specification

	4E1, 4E2	4E2C.P.R
Bore No.	8A	
Port size	Rc1/4	
No. of port	5	
No. of position	2	3
Medium	Air	
Operating pressure range	0.15~0.8 MPa	0.2~0.7 MPa
Proof pressure	1 MPa	
Effective orifice	15 mm <sup>2</sup>	18 mm <sup>2</sup>
Response time	30 ms	25 ms
Ambient temperature	-5~+50°C (No freezing)	
Voltage	AC110V, AC220V (50/60)Hz, DC24V	
Power consumption	AC=2.1/1.8VA, DC=1.6W	
Available voltage range	±10%	
Insulation class	B class	
Weight	106 g, 145 g	150 g

### Order example of valve



### Order example of manifold

