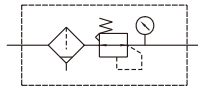


# MAFR310 series Stainless steel #316 type

AIR UNITS (F.R. UNIT)



## Symbol



## Specification

Model	MAFR310	
Bore No.	8A	10A
Port size	1/4	3/8
Medium	Air	
Operating pressure range	0.05~1 MPa	
Proof pressure	1.5 MPa	
Regulated pressure range	0.05~0.85 MPa	
Ambient temperature	-5~+60°C (No freezing)	
Filter element	Standard: 40 μm Option: 5,20 μm	
Attachment	Pressure gauge, bracket	
Weight	1680 g	

※ Standard unit contains semi-auto-drain function when operating pressure below 0.05 MPa.

## Order example

MAFR310 - 10A - D - □ - □

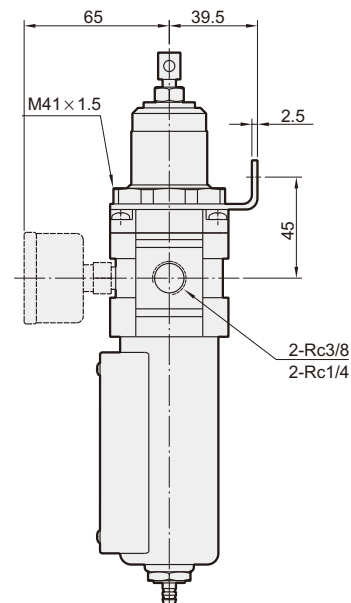
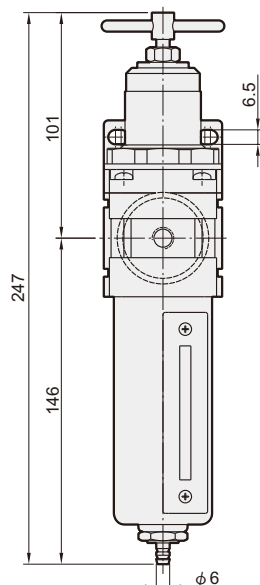
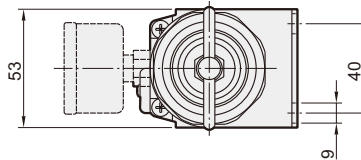
MODEL

BORE SIZE  
8A : 1/4  
10A : 3/8

D: Auto drain valve

FILTER ELEMENT  
Blank: 40 μm  
5u: 5 μm  
20u: 20 μm

PORT THREAD  
Blank: Rc thread  
G: G thread  
NPT: NPT thread



Mindman