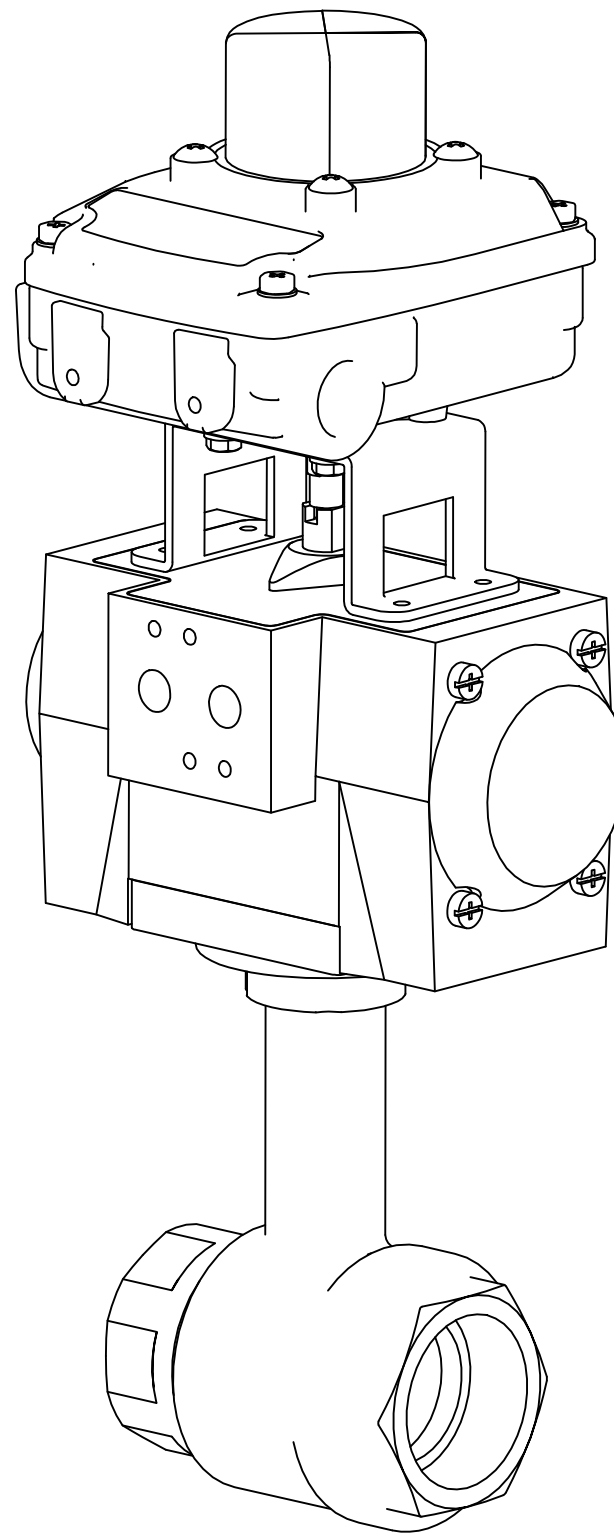
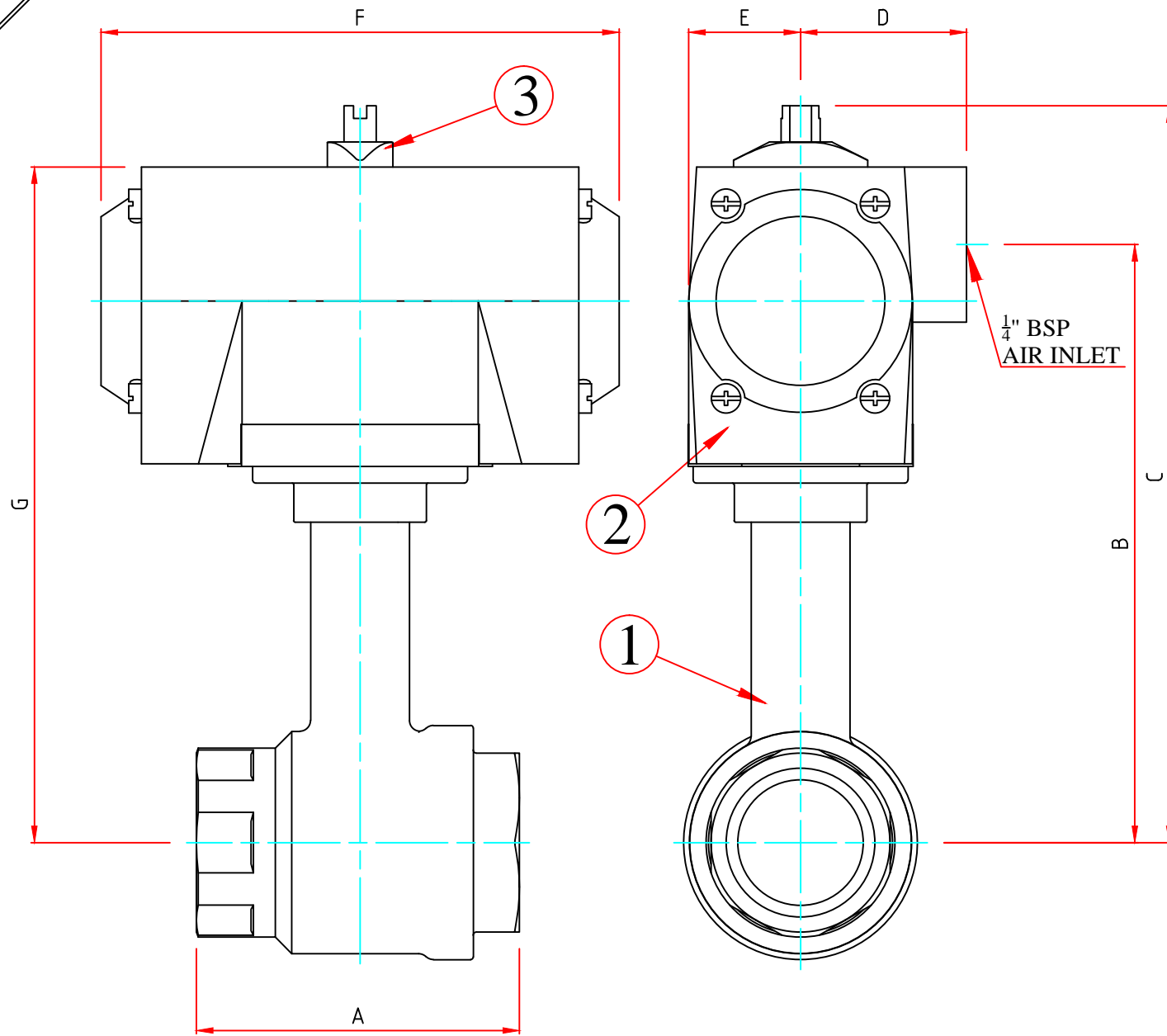


LV5985

DO NOT SCALE

IF IN
DOUBT ASK



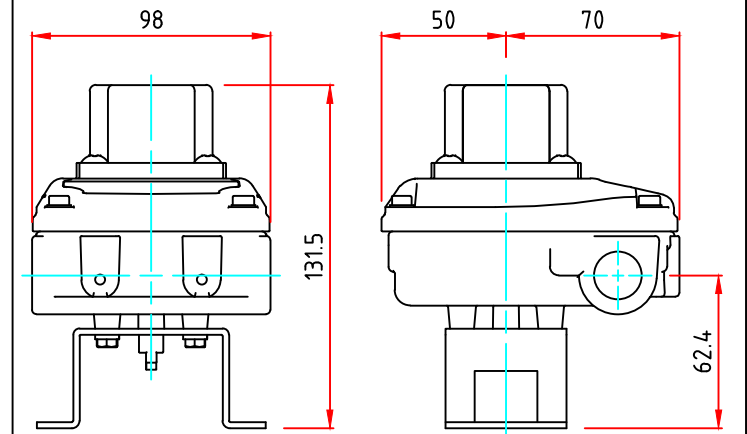
NOTES:
 1. VALVE SPECIFICATION
 BODY - NICKEL PLATED BRASS
 BALL - CHROME PLATED BRASS
 STEM - BRASS
 SEATS - PTFE
 SEAT O-RING - NBR
 STEM O-RING - NBR
 CONNECTION - BSPP

2. ACTUATOR SPECIFICATION
 MT SERIES:
 BODY - ANODIZED ALUMINUM
 END CAPS - EPOXY COATED ALUMINUM
 PINION - STAINLESS STEEL
 UT SERIES:
 BODY - TECHNO-POLYMER
 END CAPS - TECHNO-POLYMER
 PINION - NICKEL PLATED CARBON STEEL

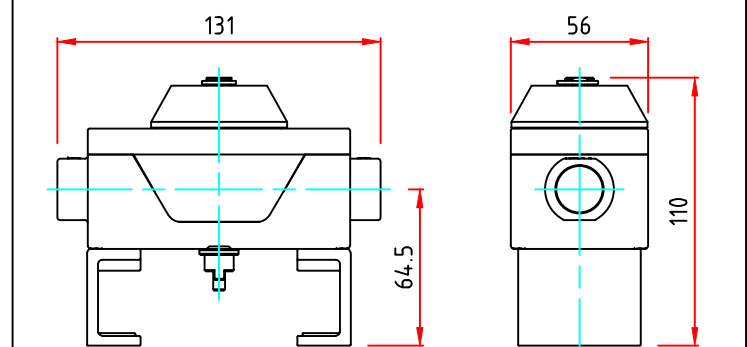
3. INDICATOR SPECIFICATION
 MT SERIES - BEACON TYPE
 UT SERIES - POINTER TYPE

4. VALVES ASSEMBLED AIR FAIL STAY PUT

SWITCHBOXES UTB5884,5,6,7,8 & 9



SWITCHBOXES UTB5882 & 3



VALVE SIZE AND REF	ACTUATOR REF.	VALVE ACTION ON AIR FAIL	A	B	C	D	E	F	G
1/2" LV4509	UT10-2A	CLOSE	56	137.5	180	4.0	27	119	160
3/4" LV4509	UT10-2A	CLOSE	68	140.5	183	4.0	27	119	163
1" LV4509	UT13-4C	CLOSE	78	165.5	209	50.25	35.75	160	189
1 1/4" LV4509	UT13-4C	CLOSE	90	175.5	219	50.25	35.75	160	199
1 1/2" LV4509	UT13-4C	CLOSE	100	125.5	225	50.25	35.75	160	205
2" LV4509	UT13-4C	CLOSE	115	198.5	242	50.25	35.75	160	222

PART No	QTY PER ASSY	DESCRIPTION	MANUFACTURER	MATERIAL SPEC
			PART REF	TYPE
1	1	FULL BORE BALL VALVE	IDROSFER	SEE NOTES
2	1	PNEUMATIC ACTUATOR	MAX-AIR	SEE NOTES
		SINGLE ACTING SPRING RETURN	UT/MT SERIES	
3	1	VISUAL POSITION INDICATOR	MAX-AIR	SEE NOTES

CUSTOMER: PRODUCT DATA SHEET		O/N: -	S/O: -
DRAWN: A. MACALISTER		TITLE: 1/2" TO 2" BRASS BALL VALVE EXTENDED FITTED WITH SINGLE ACTING ACTUATOR	
DATE: 02/01/2014		REV. A	
CHK'D: -	DRAWN TO BS.8888	SCALE: NTS	SIZE: A3
DIMENSIONS mm		DRAWING No. LG-GA-2014-02	