

# MAFF401AD / DM series

AIR UNITS ( Mist / Micromist Filter )



mindman



## Specification

Model	MAFF401AD	MAFF401DM
Bore No.	8A, 10A, 15A	
Port size	1/4, 3/8, 1/2	
Medium	Air	
Operating pressure range	0.05~1.5 MPa	
Proof pressure	2 MPa	
Ambient temperature	- 5~+ 60℃ (No freezing)	
Filter element	5 μm+0.3 μm	0.3 μm+0.01 μm
Weight	1133 g	

※ 1. Standard unit contains semi-auto-drain function when operating pressure below 0.05 MPa.

※ 2. Choose auto-drain FMRF300, the pressure range is 0.15 ~ 1 MPa.

## Symbol

AD

DM



## Order example

MAFF401AD - 8A - □ - B - □

MODEL

BORE SIZE

8A: 1/4  
10A: 3/8  
15A: 1/2

B: C type bracket

FILTER ELEMENT

AD: 5 μm+0.3 μm  
DM: 0.3 μm+0.01 μm

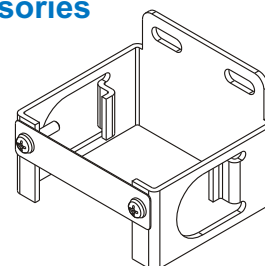
D: auto drain valve (FMRF300)

PORT THREAD

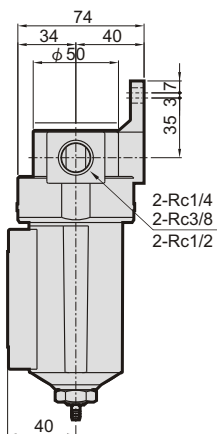
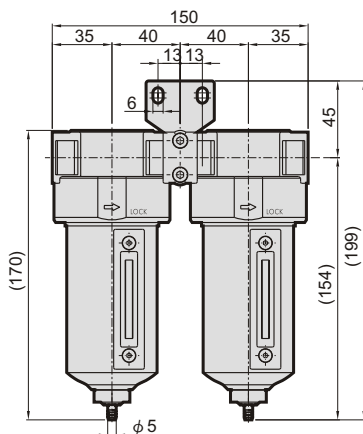
Blank: Rc thread  
G: G thread  
NPT: NPT thread

## Option accessories

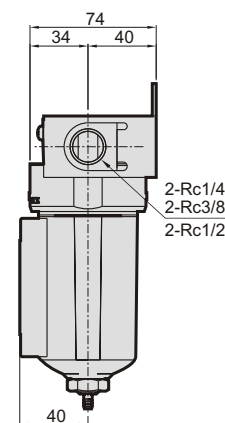
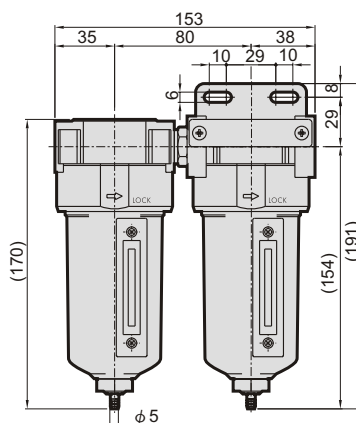
C type bracket



## MAFF401\*\*



## MAFF401\*\*-B



mindman