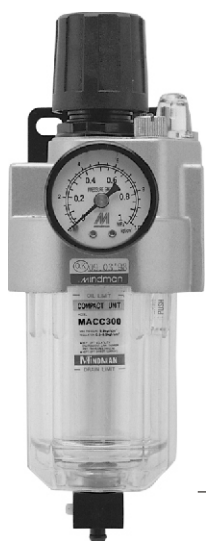
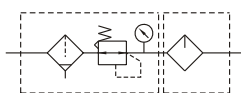


# MACC300 series

AIR UNITS (F.R.L.UNIT)



## Symbol



## Order example

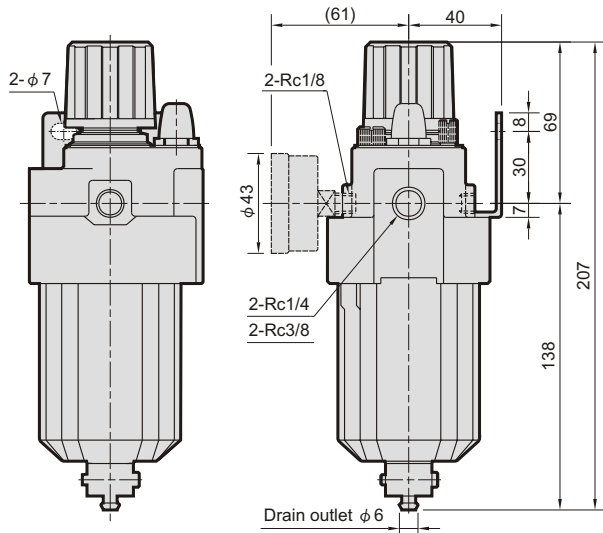
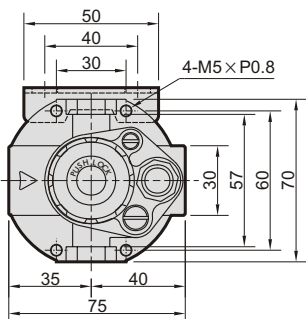
MACC300 — 8A — □ — □

MODEL                      BORE SIZE                      FILTER ELEMENT                      PORT THREAD

8A: 1/4                      Blank: 5 μm                      Blank: Rc thread                      Blank: Rc thread

10A: 3/8                      40u: 40 μm                      G: G thread                      NPT: NPT thread

※ Standard unit contains semi-auto-drain function when operating pressure below 0.05 MPa.



## Specification

Model	MACC300	
Bore No.	8A	10A
Port size	1/4	3/8
Medium	Air	
Operating pressure range	0.05~1 MPa	
Proof pressure	1.5 MPa	
Regulated pressure range	0.05~0.85 MPa	
Effective orifice	28mm <sup>2</sup>	30mm <sup>2</sup>
Ambient temperature	-5~+60°C (No freezing)	
Filter element	Standard: 5 μm Option: 40 μm	
Lubricating oil capacity	50c.c	
Min. Flow for oil drip	50 ℓ/min	60 ℓ/min
Recommended lubricating oil	Turbine oil ISO-VG32	
Attachment	Pressure gauge(PG-40), L-type bracket	
Weight	660 g	

## Flow feature

