

MAFR200 series

AIR UNITS (F.R.UNIT)

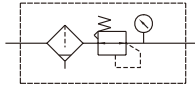


mindman



MAFR200L

Symbol



Specification

Model	MAFR200	
Bore No.	6A	8A
Port size	1/8	1/4
Medium	Air	
Operating pressure range	By order specifications	
Proof pressure	1.5 MPa	
Regulated pressure range	0.05~0.85 MPa	
Ambient temperature	-5~+60°C (No freezing)	
Filter element	Standard: 40 μm Option: 5 μm	
Attachment	Pressure gauge (PG-40), bracket	
Weight	257 g, 226 g (MAFR200L)	

※ Standard unit contains semi-auto-drain function when operating pressure below 0.05 MPa.

Order example

MAFR200L - 6A - 1K - □ - □ - □

MODEL

BORE SIZE
6A: 1/8
8A: 1/4

Blank: standard type
L: Longer case, no case guard

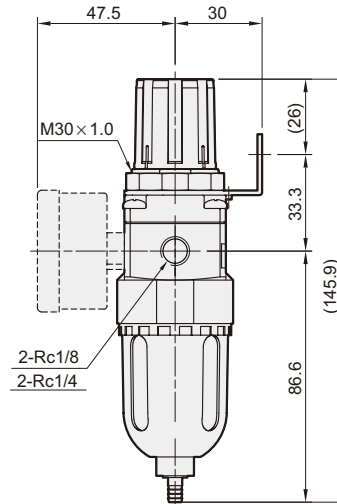
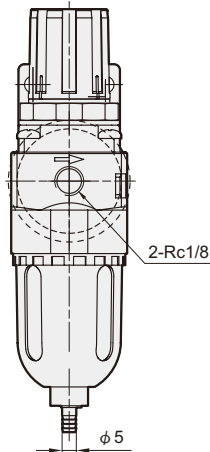
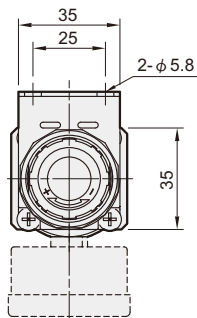
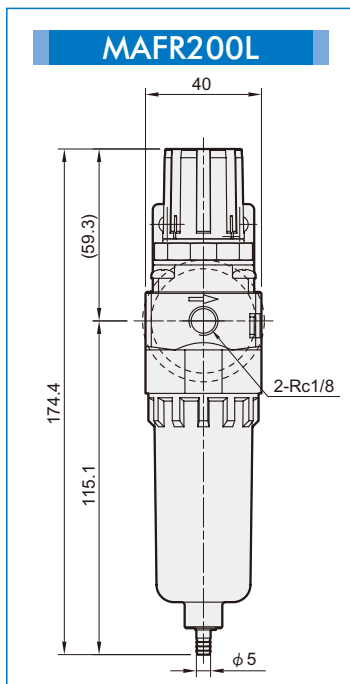
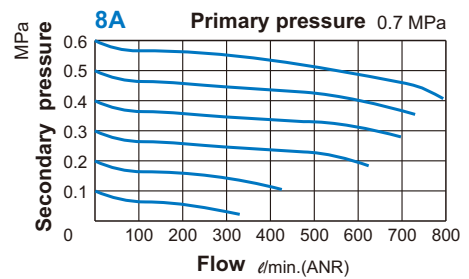
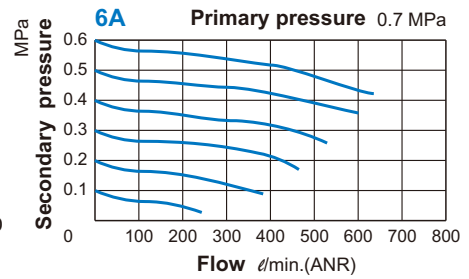
Adjustable Press. Range
Blank: Standard type
1K: 0.05~0.1 MPa
2K: 0.05~0.2 MPa
3K: 0.05~0.3 MPa
4K: 0.05~0.4 MPa

Blank: PC bowl
N: Nylon bowl

FILTER ELEMENT
Blank: 40 μm
5u: 5 μm

PORT THREAD
Blank: Rc thread
G: G thread
NPT: NPT thread

Flow feature



mindman