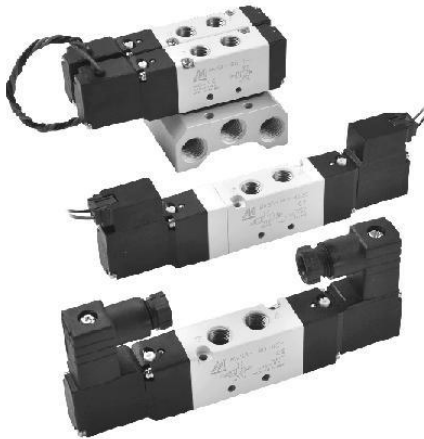


# MVSA-180 series

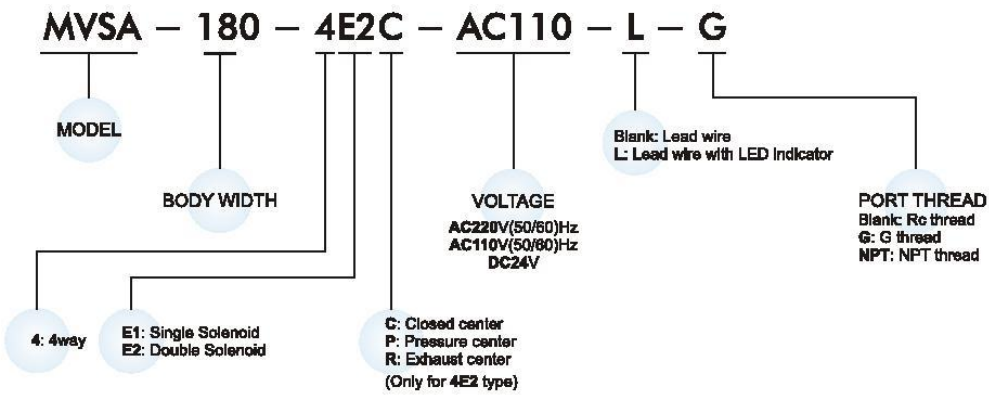
## SOLENOID VALVE



### Specification

Model	4E1	4E2	4E2C.P.R
Bore No.	6A		
Port size	Rc1/8		
No. of port	5		
No. of position	2	3	
Medium	Air		
Operating pressure range	0.15~0.8 MPa	0.2~0.7 MPa	
Proof pressure	1 MPa		
Effective orifice	12 mm <sup>2</sup>	9 mm <sup>2</sup>	
Response time	30 ms		
Ambient temperature	- 5~ + 50℃ (No freezing)		
Voltage	AC110V, 220V (50/60)Hz, DC24V		
Power consumption	AC=2.1/1.8VA, DC=1.6W		
Available voltage range	± 10%		
Insulation class	B class		
Weight	100 g	143 g	155 g

### Order example of valve



### Order example of manifold

