

# MVSA-150 series

## SOLENOID VALVE

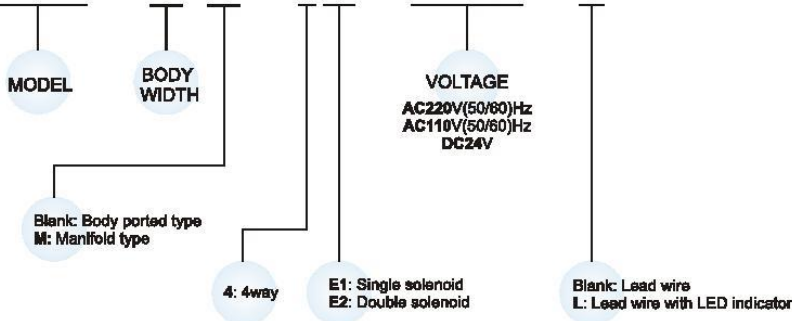


### Specification

Model	4E1	4E2
Bore No.	M5	
Port size	M5×0.8	
No. of port	5	
No. of position	2	
Medium	Air	
Operating pressure range	0.15~0.8 MPa	
Proof pressure	1 MPa	
Effective orifice	3.8 mm <sup>2</sup>	
Response time	30 ms	
Ambient temperature	-5~+50°C (No freezing)	
Voltage	AC110V, 220V (50/60)Hz, DC24V	
Power consumption	AC=2.1/1.8VA, DC=1.6W	
Available voltage range	±10%	
Insulation class	B class	
Weight	76 g	115 g

### Order example of valve

**MVSA - 150M - 4E2 - AC110 - L**



### Order example of manifold

**MVSA - 150M - 5M3**

