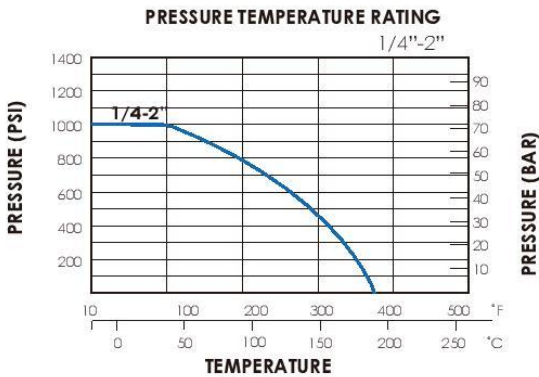
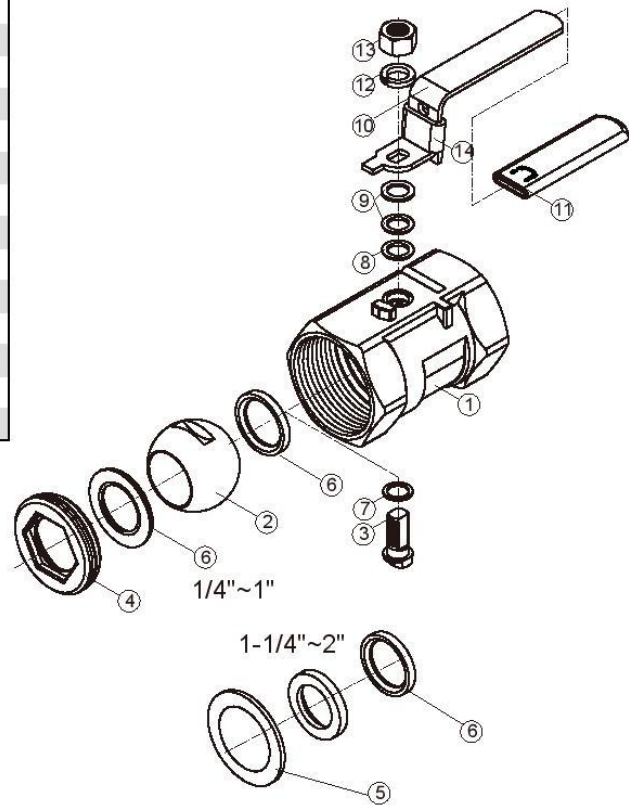


Stainless Steel Ball Valve – One-Piece

Screwed BSPP, Reduced Bore, Stainless Steel Body, Ball & Stem, PTFE Seats & Seal, Anti-blowout Stem, Locking Device

Pressure/Temperature Ratings		
Pressure	1/4" to 1 1/4"	1000psi Rated
	1 1/2" to 2"	1000psi Rated
Temperature	-10°C to 180°C	

Material List		
No#	Part	Material
1	Body	Stainless Steel ASTM-A351-CF8M
2	Ball	Stainless Steel ASTM-A351-CF8M
3	Stem	Stainless Steel AISI 316
4	Insert	Stainless Steel ASTM-A351-CF8M
5	Body Seat	PTFE
6	Seat	PTFE
7	Thrust Washer	PTFE
8	Stem Packing	PTFE
9	Gland Washer	Stainless Steel AISI 304
10	Handle	Stainless Steel AISI 304
11	Handle Cover	Plastic
12	Handle Washer	Stainless Steel AISI 304
13	Handle Nut	Stainless Steel AISI 304
14	Lock Device	Stainless Steel AISI 304



Dimensional Information on Page 2