

LV 2426

Brass Ball Valve - Press Fit x BSP Male (+union end)

Pressfit x Union End, Nickel Plated Brass Body, T-Handle Operated

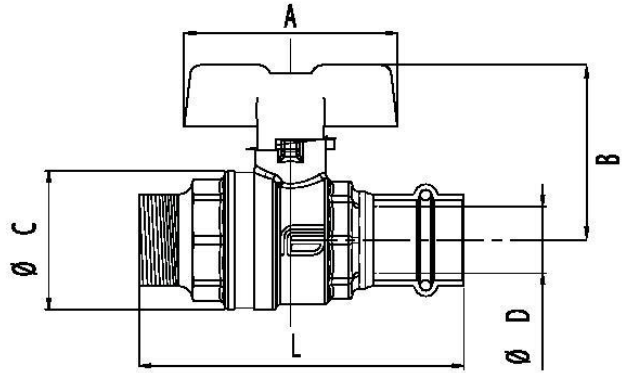


Pressure/Temperature Ratings

Max Pressure	PN40
Temperature Range	-15°C to 120°C

Material List

Body	Brass, Nickel Plated
Ball	Brass, Chrome Plated
Seats	PTFE
Stem	Brass
Handle	Aluminium
Stem O-ring	H NBR
End O-ring	EPDM



Dimensions

DN	Ø D	A	B	Ø C	L*	Kg
15	15	45	40	31	80	0.21
22	20	55	45	38.5	87	0.34
28	25	55	50	47	89	0.53

L* = Excluding Union End