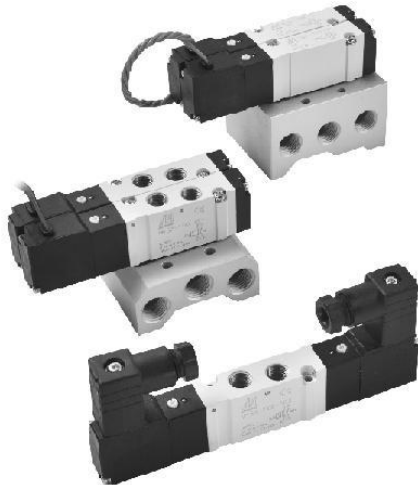


MVSA-156 series

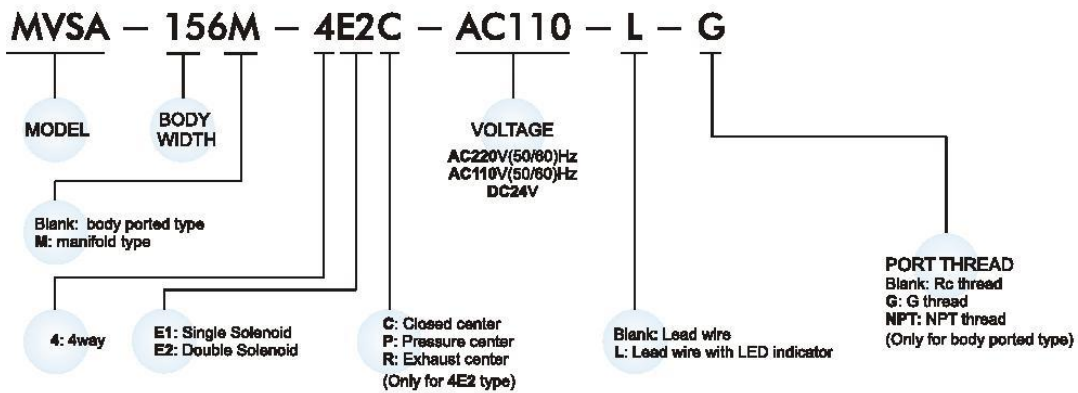
SOLENOID VALVE



Specification

| Model | 4E1 | 4E2 | 4E2CPR |
|--------------------------|---------------------------------|---------------------|--------|
| Bore No. | 6A | | |
| Port size | Rc1/8 | | |
| No. of port | 5 | | |
| No. of position | 2 | 3 | |
| Medium | Air | | |
| Operating pressure range | 0.15~0.8 MPa | 0.2~0.7 MPa | |
| Proof pressure | 1 MPa | | |
| Effective orifice | 10 mm ² | 7.5 mm ² | |
| Response time | 30 ms | 25 ms | |
| Ambient temperature | -5~+50°C (No freezing) | | |
| Voltage | AC110V, AC220V (50/60)Hz, DC24V | | |
| Power consumption | AC=2.1/1.8VA, DC=1.6W | | |
| Available voltage range | ±10% | | |
| Insulation class | B class | | |
| Weight | 90 g | 131 g | 138 g |

Order example of valve



Order example of manifold

