

Stainless Steel 2-piece Ball Valve - BSPP/NPT

LV6200 BSPP or LV6220 NPT, Full Bore, Stainless Steel Body, Ball & Stem, PTFE Seats & Seals, Anti-blowout Stem, Locking Device



Pressure / Temperature

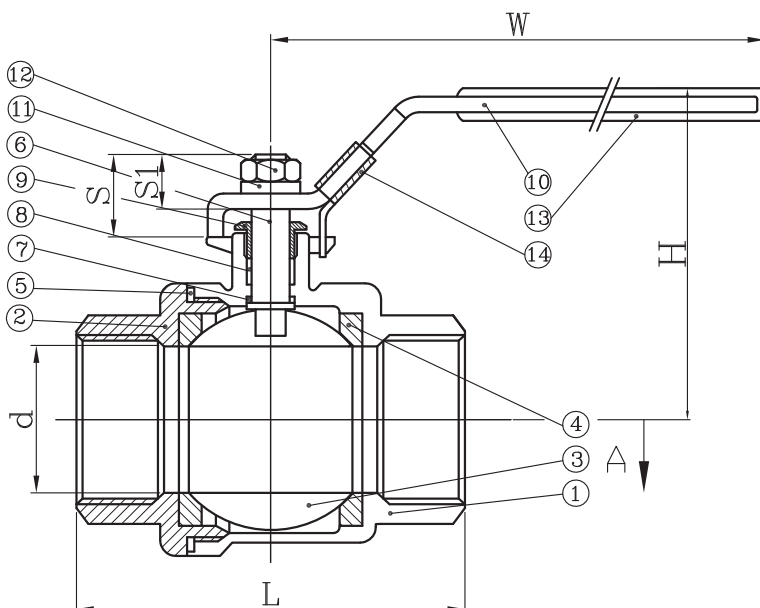
Pressure	PN63
Temperature	-10°C to 180°C

Material List

1. Body	A351 CF8M Stainless Steel	8. Stem Packing	PTFE
2. Cap	A351 CF8M Stainless Steel	9. Gland Nut	304 Stainless Steel
3. Ball	A351 CF8M Stainless Steel	10. Handle	430 Stainless Steel
4. Ball Seat	PTFE	11. Spring Washer	304 Stainless Steel
5. Joint Gasket	PTFE	12. Stem Nut	304 Stainless Steel
6. Stem	316 Stainless Steel	13. Handle Sleeve	Plastic
7. Thrust Washer	PTFE	14. Locking Device	430 Stainless Steel

Dimensions

Size	d	L	H	W	S	S1
1/4"	11.6	50	48	91	16.5	10.2
3/8"	12.5	50	48	91	16.5	10.2
1/2"	15	60	52	91	16.5	10.2
3/4"	20	65	61	111	20	13.5
1"	25	80	65	111	23.5	16
1 1/4"	32	92	79	154	23.5	16
1 1/2"	38	105	83	154	25.5	17
2"	50	125	97	192	25.5	17
2 1/2"	64	155.6	129	246	41	29.5
3"	76	183	138	246	41	29.5
4"	96	240	175	317	51.2	37



PRESSURE TEMPERATURE RATING

