

## Bronze Gate Valve - Lockshield - PN20

Screwed in Bonnet, Inside Screw  
Non-rising Stem, Integral Seat  
Screwed BSP Parallel Threads to BS 21

### Pressure/Temperature Ratings

Max Pressure	20 Bar
Temperature	-20°C to 180°C

### Pressure Equipment Directive Category

1/2" to 1"	1 1/4" to 2"
SEP	CAT1(CE)

### Flow Rates

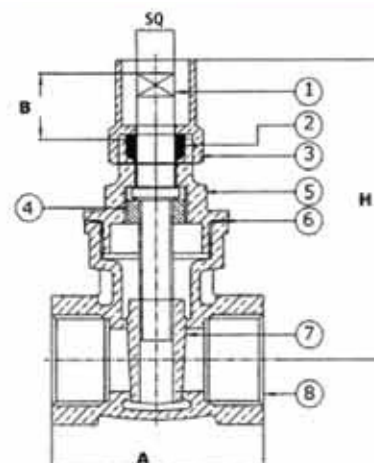
	1/2"	3/4"	1"	1 1/4"	1 1/2"	2"
Cv	16.4	37.4	66.7	105.3	150.9	269.1
Kv	14.0	32.0	57.0	90.0	129.0	230.0

\*Cv - flow rate in US GPM at a pressure drop of 1 psi.

\*Kv - flow rate in m<sup>3</sup> per hour at a pressure drop of 1 bar.

### Material List

Part No.	Description	Material	Specification
1	Stem	Brass	CZ114 OF BS 2872 / 2874
2	Gland Packing	Teflon	PTFE
3	Lockshield	Bronze	BS:1400 LG-2
4	Check Nut	Bronze	BS:1400 LG-2
5	Bonnet	Bronze	BS:1400 LG-2
6	Packing	Teflon	PTFE
7	Wedge	Bronze	BS:1400 LG2
8	Body	Bronze	BS 1400 LG2



### Dimensions

Size	A	B	H	SQ
15	46	15	67	6.7
20	50	15	74	6.7
25	55	17	84	6.7
32	61	17	96	7
40	63	19	109	8
50	71	19	125	8