

LV 6400T  
LV 6411L

## Stainless Steel Vall Valve - Three-Piece

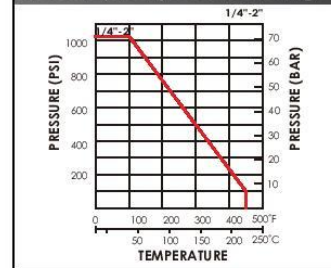
Screwed BSPP, Reduced Ball, Stainless Steel Body, Ball & Stem, PTFE Seats & Seals, L or T Port Options, Direct Mount ISO Topworks

### Pressure/Temperature Ratings

|             |                |
|-------------|----------------|
| Pressure    | PN63 Rated     |
| Temperature | -29°C to 220°C |

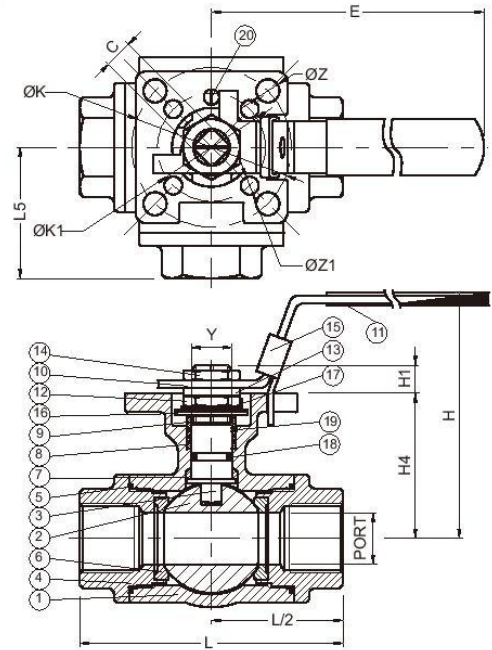
|           |    |     |      |      |
|-----------|----|-----|------|------|
| TURN PORT | 0° | 90° | 180° | 270° |
| L-BALL    |    |     |      |      |
| T-BALL    |    |     |      |      |

### Pressure/Temperature Ratings



### Material List

| No# | Part               | Material       |
|-----|--------------------|----------------|
| 1   | Body               | ASTM-A351-CF8M |
| 2   | Ball               | ASTM-A351-CF8M |
| 3   | Stem               | AISI 316       |
| 4   | Cap                | ASTM-A351-CF8M |
| 5   | Body Seal          | RTFE           |
| 6   | Seat               | RTFE           |
| 7   | Thrust Washer      | RTFE           |
| 8   | Stem Packing       | RTFE           |
| 9   | Gland Bush         | AISI 304       |
| 10  | Handle             | AISI 304       |
| 11  | Handle Cover       | Plastic        |
| 12  | Stem Nut           | AISI 304       |
| 13  | Handle Washer      | AISI 304       |
| 14  | Handle Nut         | AISI 304       |
| 15  | Locking Pad        | AISI 304       |
| 16  | Belleveille Washer | AISI 304-CSP   |
| 17  | Stop Washer        | AISI 304       |
| 18  | O-Ring             | Viton          |
| 19  | Packing Follower   | PTFE + 25% GF  |
| 20  | Stop Pin           | AISI 304       |



### Dimensions

| Size   | Port | L     | L5   | E     | H     | H1   | H4   | C    | Y    | ØK         | Z   | Torque | Kg   |
|--------|------|-------|------|-------|-------|------|------|------|------|------------|-----|--------|------|
| 1/4"   | 11.0 | 75.7  | 37.3 | 112.0 | 77.5  | 9.0  | 38.2 | 9.0  | 12.0 | 42.0 - F04 | 6.0 | 10 Nm  | 0.75 |
| 3/8"   | 11.0 | 75.7  | 37.3 | 112.0 | 77.5  | 9.0  | 38.2 | 9.0  | 12.0 | 42.0 - F04 | 6.0 | 10 Nm  | 0.75 |
| 1/2"   | 12.7 | 75.7  | 37.3 | 112.0 | 77.5  | 9.0  | 38.2 | 9.0  | 12.0 | 42.0 - F04 | 6.0 | 15 Nm  | 0.67 |
| 3/4"   | 16.0 | 86.6  | 44.7 | 112.0 | 82.0  | 9.0  | 45.2 | 9.0  | 12.0 | 42.0 - F04 | 6.0 | 20 Nm  | 1.08 |
| 1"     | 20.0 | 102.4 | 51.4 | 136.5 | 93.7  | 11.0 | 56.5 | 11.0 | 15.8 | 50.0 - F05 | 7.1 | 25 Nm  | 1.69 |
| 1 1/4" | 25.0 | 118.2 | 57.7 | 188.0 | 101.1 | 11.0 | 61.9 | 11.0 | 15.8 | 50.0 - F05 | 7.1 | 32 Nm  | 2.44 |

| Size   | Port | L     | L5   | E     | H     | H1   | H4   | C    | Y    | ØK         | ØK1        | Z   | Z1  | Torque | Kg   |
|--------|------|-------|------|-------|-------|------|------|------|------|------------|------------|-----|-----|--------|------|
| 1 1/2" | 32.0 | 125.8 | 62.7 | 197.5 | 120.3 | 14.3 | 78.3 | 14.0 | 20.8 | 70.0 - F07 | 50.0 - F05 | 9.2 | 7.1 | 40 Nm  | 3.61 |
| 2"     | 38.1 | 149.0 | 74.6 | 197.5 | 129.9 | 14.0 | 87.4 | 14.0 | 20.8 | 70.0 - F07 | 50.0 - F05 | 9.2 | 7.1 | 50 Nm  | 4.81 |