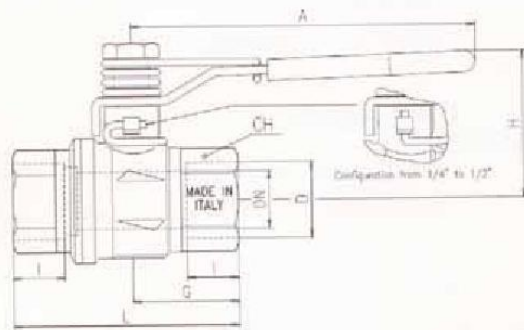


## Brass Ball Valve with Spring Close Lever

Nickel Plated Body, Screwed BSPP Female, Full Bore, Spring Close Lever Operated.

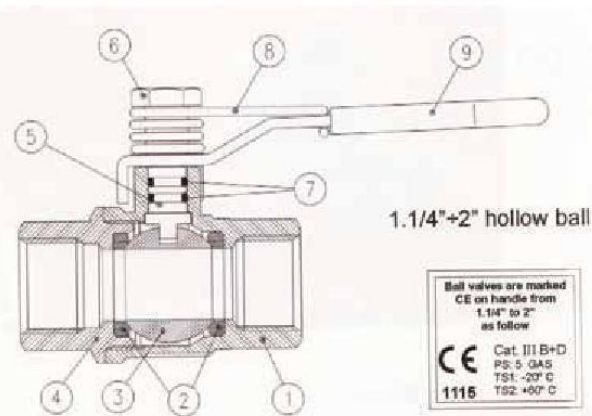
### Pressure/Temperature Ratings

Pressure	PN40
Temperature Range	-40°C to 170°C



### Dimensions

DN	L	I	G	A	H	CH	Kg
1/2"	59	15.5	30.5	100	43	27	0.33
3/4"	64	18	37	120	51	32	0.51
1"	81	21	45.5	120	55	41	0.85
1 1/4"	93	23	52	158	75	50	1.25
1 1/2"	102	24.5	59	158	81	55	1.66
2"	121	26.5	67.5	158	88	70	1.69



### Material List

1 - Body	Nickel Plated CW617N
2 - Seat	PFTE
3 - Ball	Chrome Plated CW617N
4 - End Cap	Nickel Plated CW617N
5 - Stem O Ring Design	Nickel Plated CW617N
6 - Spring Nut	CW617N
7 - O Ring	FPM
8 - Spring Return	AlSi302
9 - Yellow PVC Coated Handle	Steel

Ball valves are marked  
CE on handle from  
1.1/4" to 2"  
as follow

**CE** Cat. III B+D  
PS: 5 GAS  
TS1: -20° C  
TS2: +0° C  
**1115**