

LV 2420

Brass Ball Valve - Press Fit Ends

Copper to Copper Press Ends, Nickel Plated Brass Body, Lever Operated

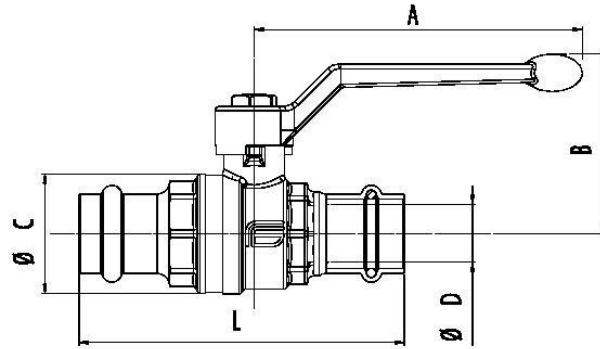


Pressure/Temperature Ratings

| | | |
|-------------------|----------------|------|
| Max Pressure | 15mm - 28mm | PN40 |
| | 35mm | PN25 |
| | 42mm - 54mm | PN16 |
| Temperature Range | -15°C to 120°C | |

Material List

| | |
|-------------|----------------------|
| Body | Brass, Nickel Plated |
| Ball | Brass, Chrome Plated |
| Seats | PTFE |
| Stem | Brass |
| Handle | Aluminium |
| Stem O-ring | H NBR |
| End O-ring | EPDM |



Dimensions

| DN | ∅ D | A | B | ∅ C | L | Kg |
|----|-----|-----|----|------|-----|------|
| 15 | 15 | 85 | 41 | 31 | 93 | 0.21 |
| 22 | 20 | 105 | 57 | 38.5 | 104 | 0.34 |
| 28 | 25 | 105 | 61 | 47 | 110 | 0.53 |
| 35 | 32 | 130 | 70 | 57.5 | 123 | 0.89 |
| 42 | 40 | 130 | 79 | 70 | 158 | 1.51 |
| 54 | 50 | 165 | 97 | 85.5 | 179 | 2.09 |