

# MAD401H series

**AIR UNITS (Drain Trap)**



**mindman**



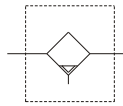
## Features

- Max. operating pressure: 1.3 MPa

## Specification

Model	MAD401H
Bore No.	15A
Port size	1/2
Medium	Air
Operating pressure range	0.1~1.3 MPa
Proof pressure	1.7 MPa
Ambient temperature	-5~+60°C (No freezing)
Weight	519 g

## Symbol



※ Standard unit contains semi-auto-drain function when operating pressure below 0.05 MPa.

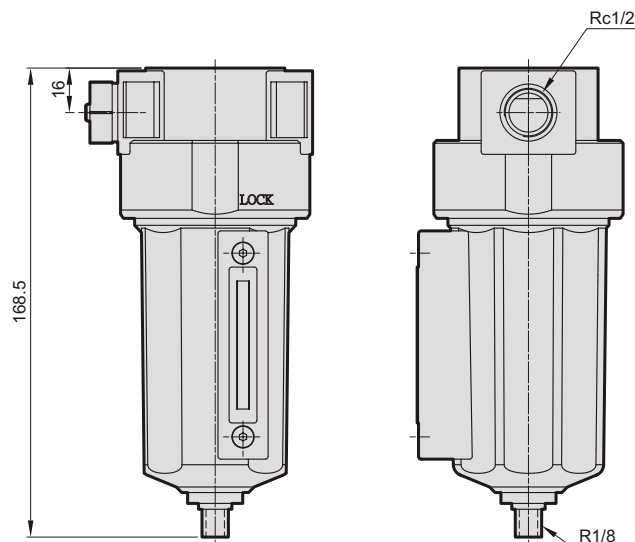
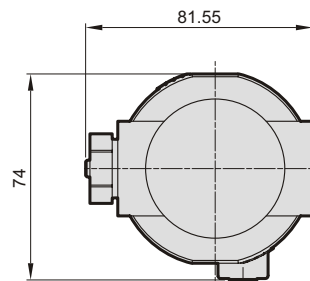
## Order example

MAD401H – 15A – □

MODEL

BORE SIZE  
15A: 1/2

PORT THREAD  
Blank: Rc thread  
G: G thread  
NPT: NPT thread



**mindman**