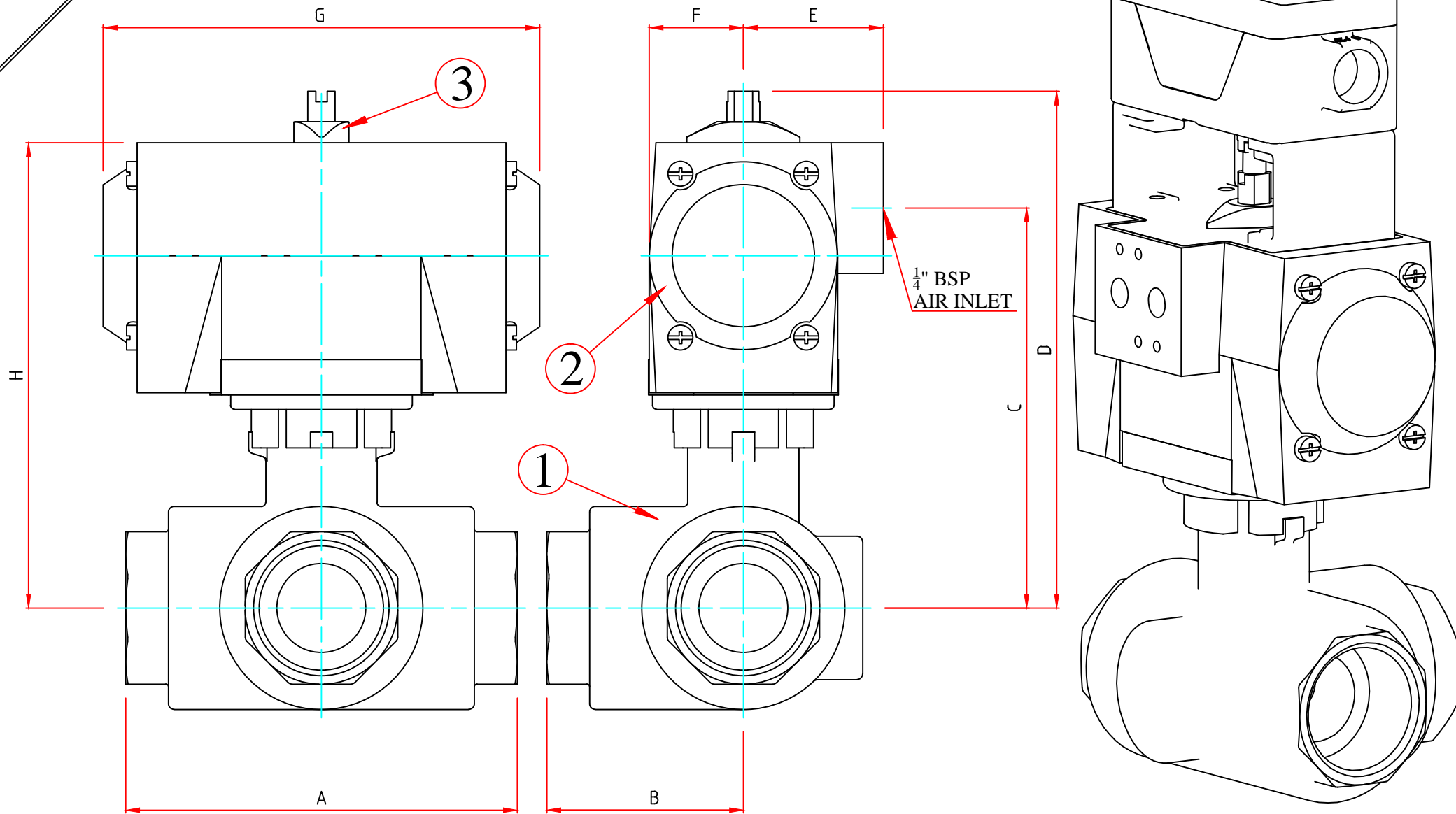


V5998

DO NOT SCALE

IF IN DOUBT ASK



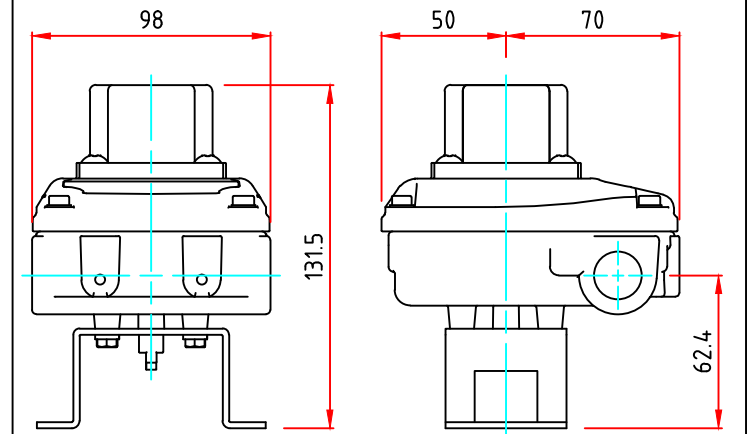
- NOTES:**
- VALVE SPECIFICATION**
 BODY - NICKEL PLATED BRASS
 BALL - CHROME PLATED BRASS
 STEM - BRASS
 SEATS - PTFE
 SEAT O-RING - NBR
 STEM O-RING - NBR
 CONNECTION - BSPP

- ACTUATOR SPECIFICATION**
MT SERIES:
 BODY - ANODIZED ALUMINUM
 END CAPS - EPOXY COATED ALUMINUM
 PINION - STAINLESS STEEL
UT SERIES:
 BODY - TECHNO-POLYMER
 END CAPS - TECHNO-POLYMER
 PINION - NICKEL PLATED CARBON STEEL

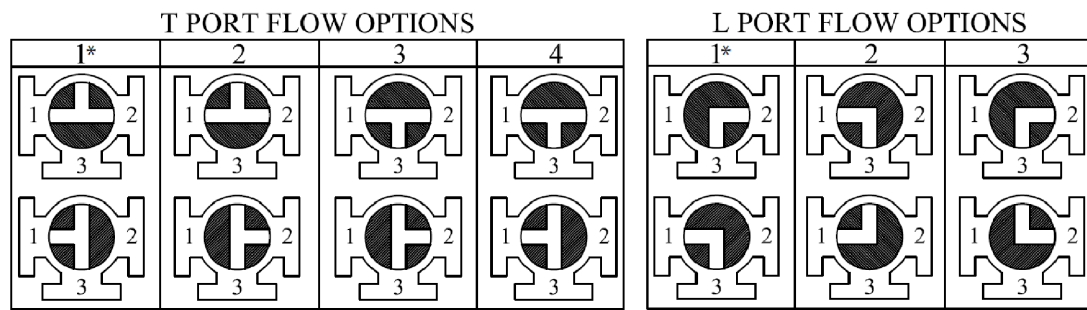
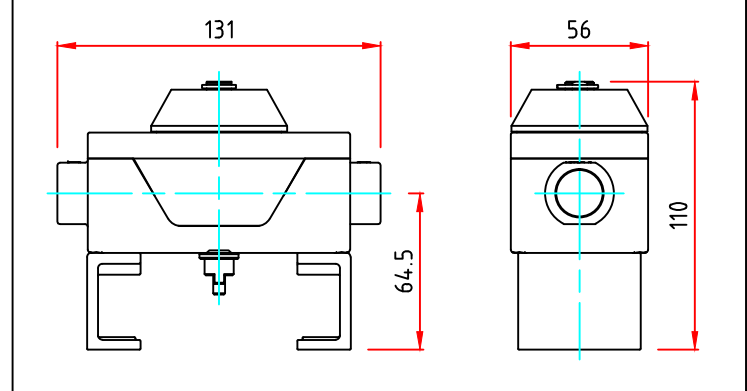
- INDICATOR SPECIFICATION**
MT SERIES - BEACON TYPE
UT SERIES - POINTER TYPE

4. VALVES ASSEMBLED AIR FAIL TBA

SWITCHBOXES UTB5884,5,6,7,8 & 9



SWITCHBOXES UTB5882 & 3



* Option 1 standard

VALVE SIZE AND REF	ACTUATOR REF.	VALVE ACTION ON AIR FAIL	A	B	C	D	E	F	G	H
1/2" LV4510/4511	UT10-2A	TBA	82	41	99	14.15	40	27	119	120.5
3/4" LV4510/4511	UT10-2A	TBA	90	45	102	14.4.5	40	27	119	123.5
1" LV4510/4511	UT13-4C	TBA	106	53	130.5	174	50.25	35.75	160	153
1 1/4" LV4510/4511	UT13-4C	TBA	120	60	134.5	178	50.25	35.75	160	157
1 1/2" LV4510/4511	UT13-4C	TBA	142	71	140.5	184	50.25	35.75	160	163
2" LV4510/4511	UT13-4C	TBA	165	82.5	147.5	191	50.25	35.75	160	170
2 1/2" LV4510/4511	UT13-4C	TBA	194	97	158.5	202	50.25	35.75	160	180.5

PART No	QTY PER ASSY	DESCRIPTION	MANUFACTURER	MATERIAL SPEC
			PART REF	TYPE
1	1	FULL BORE BALL VALVE	IDROSFER	SEE NOTES
			LV4510/4511 T OR L PORT	
2	1	PNEUMATIC ACTUATOR	MAX-AIR	SEE NOTES
		SINGLE ACTING	UT/MT SERIES	
3	1	VISUAL POSITION INDICATOR	MAX-AIR	SEE NOTES
			-	

CUSTOMER: PRODUCT DATA SHEET		O/N: -	S/O: -
DRAWN: A. MACALISTER		TITLE: 1/2"-2 1/2" BRASS BALL VALVE 3 WAY T OR L PORT FITTED WITH SINGLE ACTING ACTUATOR	
DATE: 03/01/2014		CHK'D: -	
DRAWN TO BS.8888	SCALE: NTS	SIZE: A3	DRAWING No. LG-GA-2014-05
THIS DRAWING IS THE PROPERTY OF LEENGATE VALVES AND MUST NOT BE USED FOR ANY PURPOSE OTHER THAN THAT FOR WHICH IT IS SUPPLIED. IT'S CONTENTS ARE SUPPLIED IN CONFIDENCE AND MUST NOT BE REPRODUCED WITHOUT WRITTEN PERMISSION.			REV. A