

Magy Filter drain

Magnetically operated zero air loss condensate drain

The MAGY removes condensate from compressed air filters.

The operation is automatic and there is no compressed air lost during the condensate discharge cycle.

The MAGY uses magnetic forces to operate the direct acting valve assembly and is ideally suited in applications where power is not available, too expensive or not reliable.

The magnets have been specially selected to ensure that long lasting magnetism is guaranteed



**No electricity
required.
NEW CONCEPT!**

Key features:

- Zero air loss during the condensate discharge
- No electricity required to operate the drain
- Magnetically operated, long life magnets applied
- Condensate discharge of all filters regardless of size or capacity
- Operating pressure range is 0 to 16 bar
- Direct acting valve with FPM (Viton) seals
- Robust corrosion resistant aluminum housing
- Clever servicing feature
- The direct acting valve is serviceable
- Installation kit available

WARNING

Failure to carry out regular routine draining can have catastrophic results. Compressed air systems can become contaminated and production schedules can get seriously disrupted – just because a simple duty has been neglected.

Magy

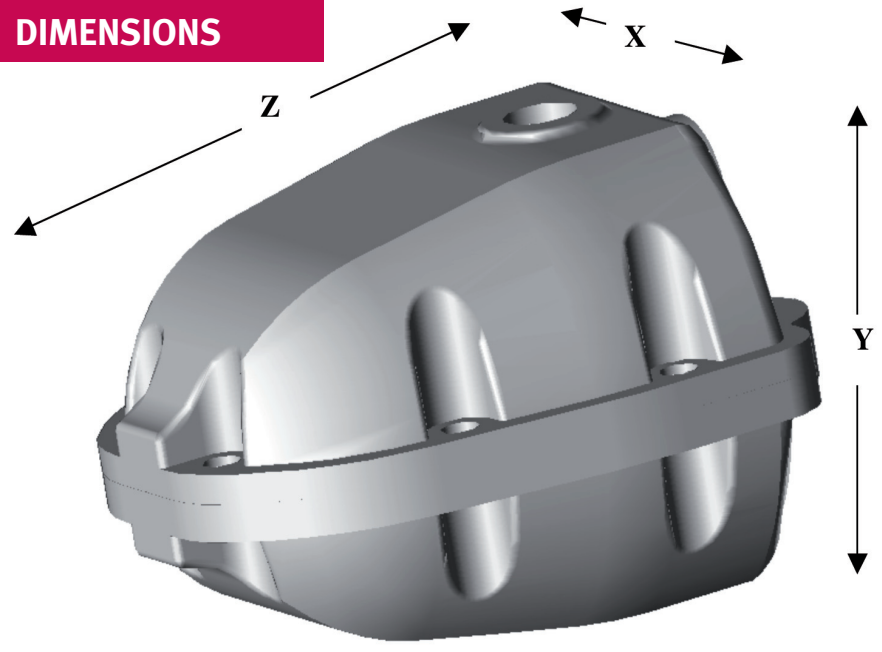
Magnetically operated zero air loss condensate drain

SPECIFICATIONS

Maximum drainage capacity/output	200 litres condensate per hour
Inlet connection and height	1/2", 10 cm
Outlet connection	1/4"
Minimum system pressure	0 bar
Maximum system pressure	16 bar
Minimum medium temperature	2° C
Maximum medium temperature	50° C
Valve orifice	2.0 mm
Type of operating valve	St/steel direct acting valve assembly
Valve seals	Viton (FPM)
Housing material	Corrosion resistant Aluminium



DIMENSIONS



Installation & service kit

Dimensions:	
X	140 mm
Y	110 mm
Z	160 mm

Install a MAGY to ensure a reliable process of condensate draining on filters.

JORC is ISO 9001:2000 Certified

Information provided herewith is believed to be accurate and reliable. However, no responsibility is assumed for its use or for any infringement of patents or rights of others, which may result from its use. In addition, JORC reserves the right to revise information without notice and without incurring any obligation.

JORC Industrial BV
 Pretoriastraat 28
 NL-6413 NN Heerlen
 The Netherlands

Tel +31 45 524 24 27
 Fax +31 45 524 19 79
 E-mail info@jorc.nl
 http:// www.jorc.nl

Your supplier is: